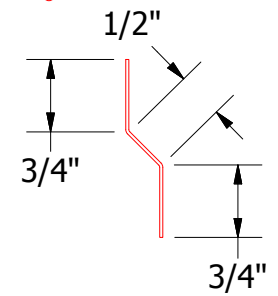
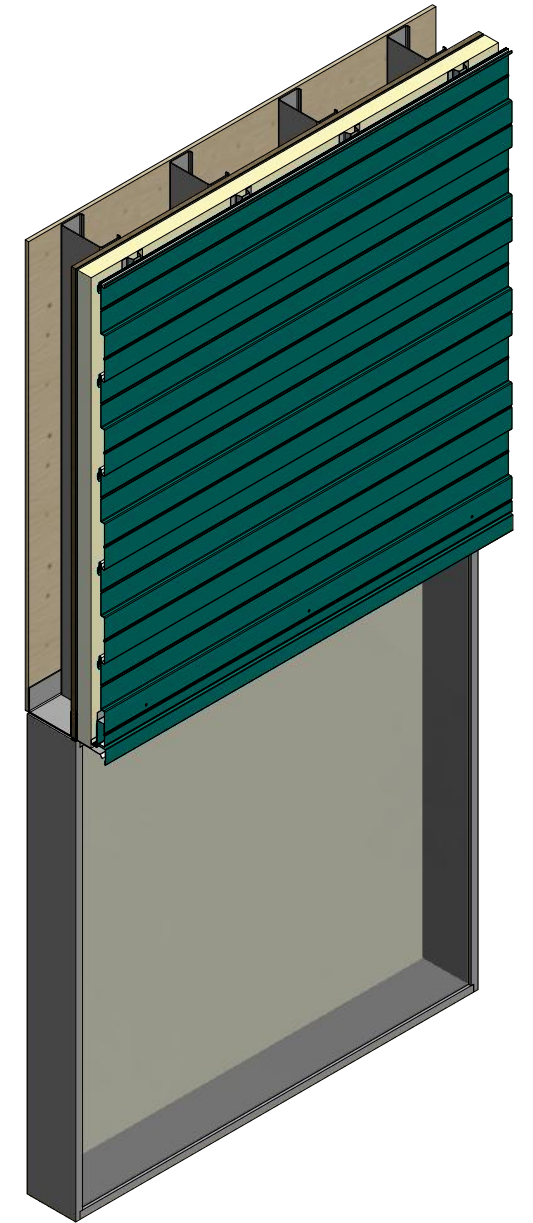
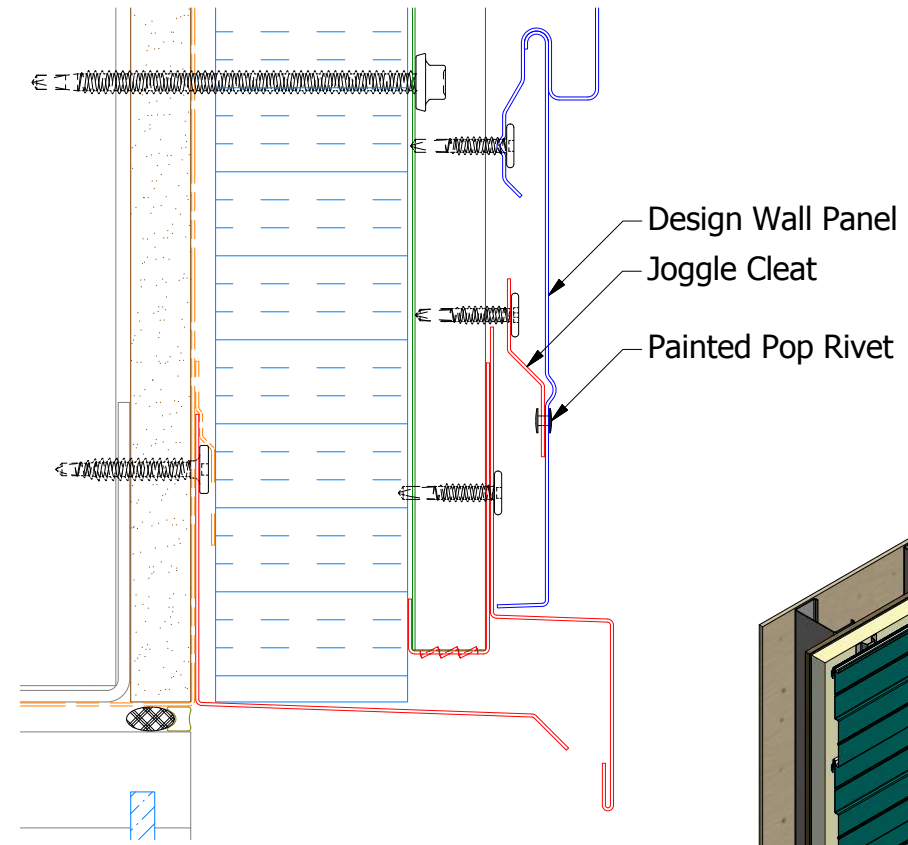
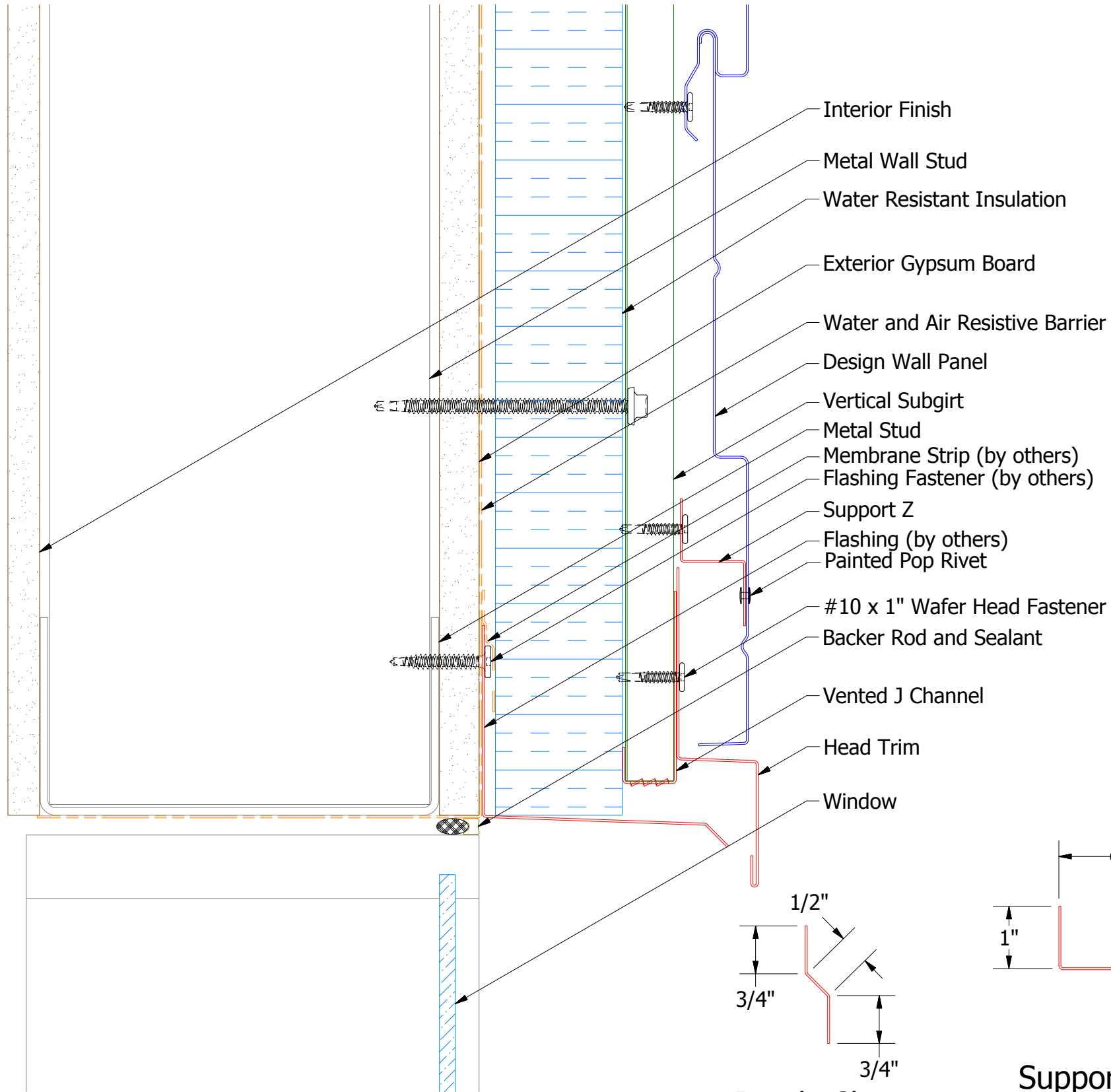
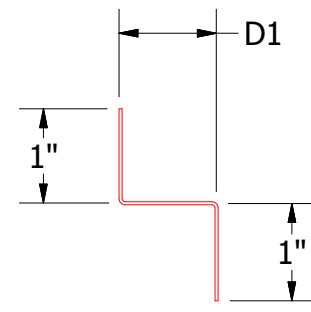


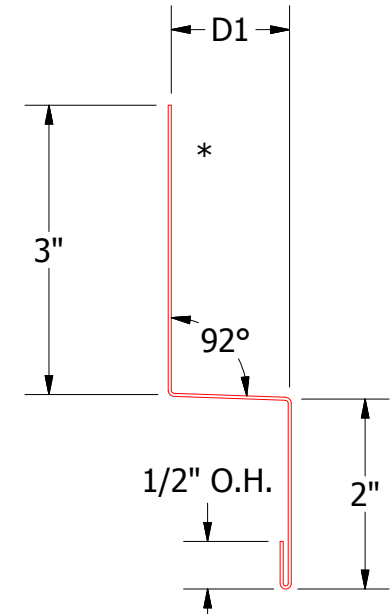
Horizontal Panel



Joggle Cleat
DWA975/DSA975



Support Z
DWA681: D1= 1"
DSA681: D1= 1 5/8"



Head Trim
DWA550: D1= 1 1/4"
DSA550: D1= 1 15/16"

REV. NO.	DATE	DESCRIPTION OF REVISION	BY	APP

ATAS ATAS INTERNATIONAL, INC
Allentown PA
610-395-8445
Mesa AZ
480-558-7210

TITLE **Design Wall Open Head Detail**

DWG. NO.	DR	DATE
	DMR	7/14/2016
MATERIAL	APP	DATE
SH. SIZE	B	SCALE
		X:X