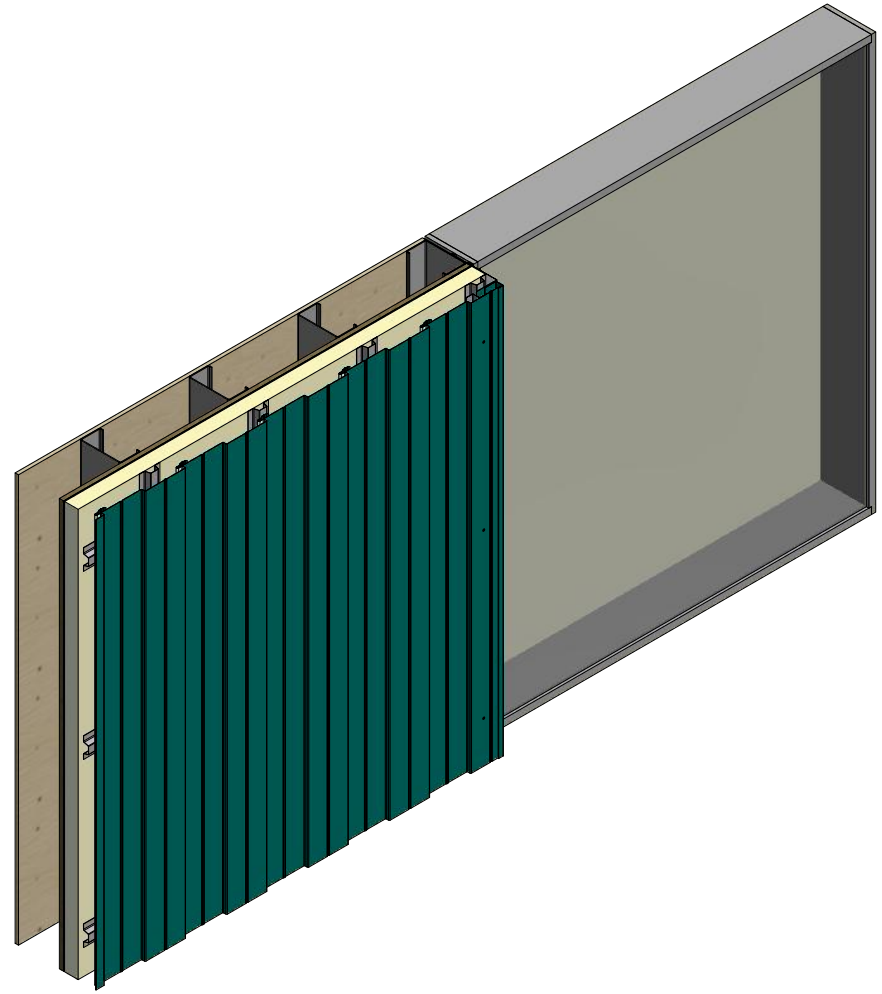
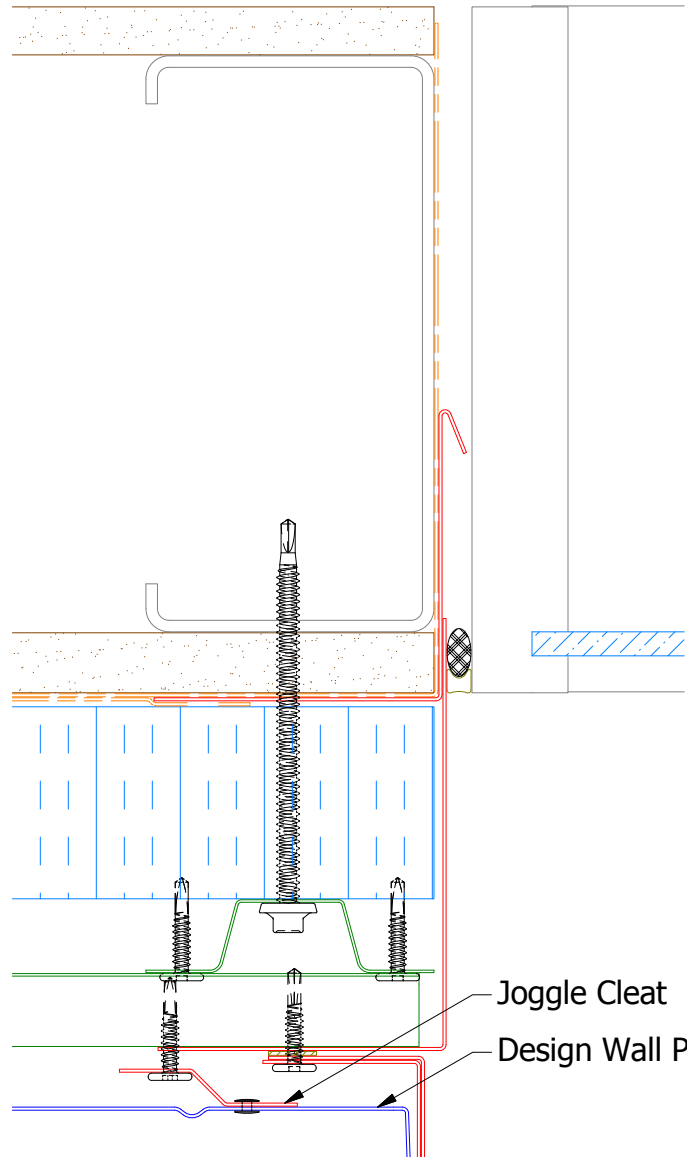
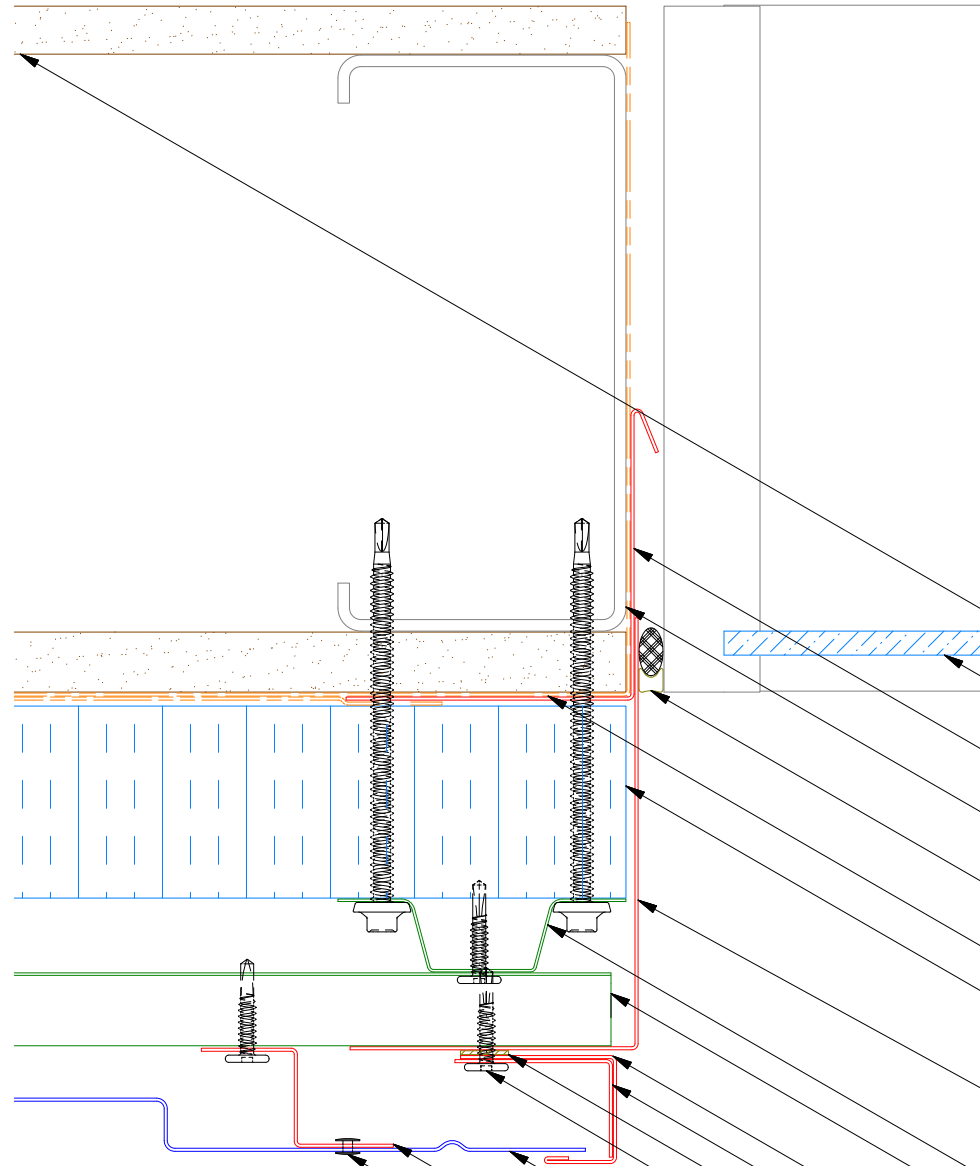


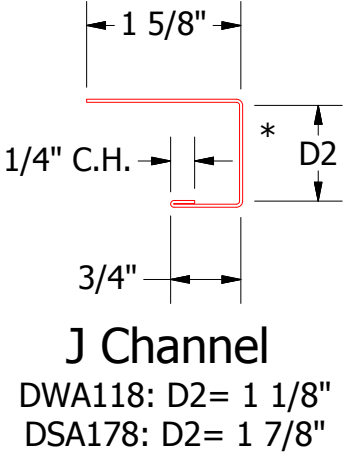
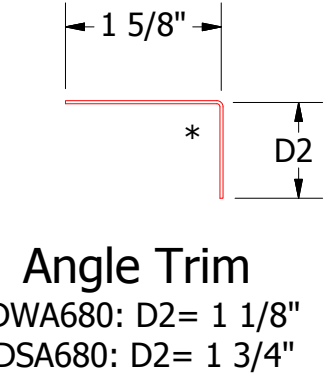
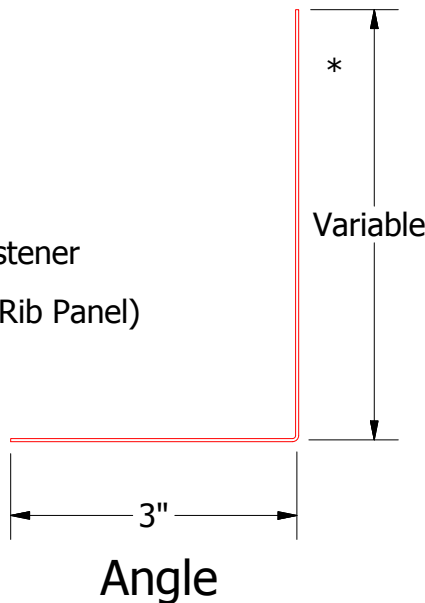
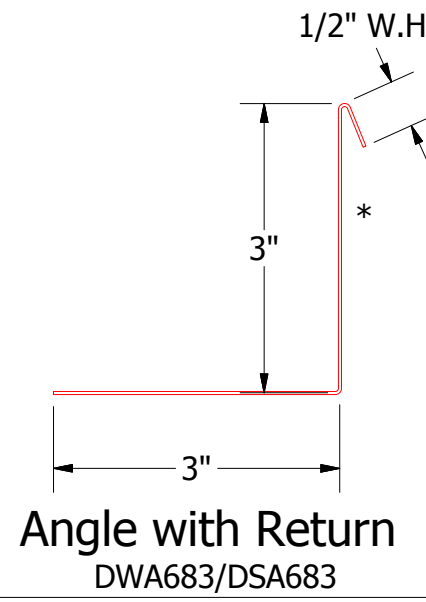
Vertical Panel



- Interior Finish
- Window
- Angle with Return
- Metal Wall Stud
- Backer Rod and Sealant
- Water and Air Resistive Barrier
- Water Resistant Insulation
- Angle
- Vertical Subgirt
- Horizontal Subgirt
- J Channel
- Angle Trim
- Butyl Tape
- #10 x 1" Wafer Head Fastener
- Design Wall Panel (High Rib Panel)
- Support Z
- Painted Pop Rivet

Alternative Subgirt Orientation

- Joggle Cleat
- Design Wall Panel (Low Rib Panel)



REV. NO.	DATE	DESCRIPTION OF REVISION	BY	APP

TITLE		Design Wall Open Jamb Detail	
DWG. NO.	DR	DATE	7/18/2016
	DMR		
MATERIAL	APP	DATE	
SH. SIZE	B	SCALE	X:X

ATAS ATAS INTERNATIONAL, INC
 Allentown PA
 610-395-8445
 Mesa AZ
 480-558-7210