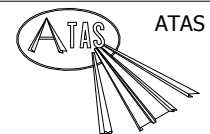
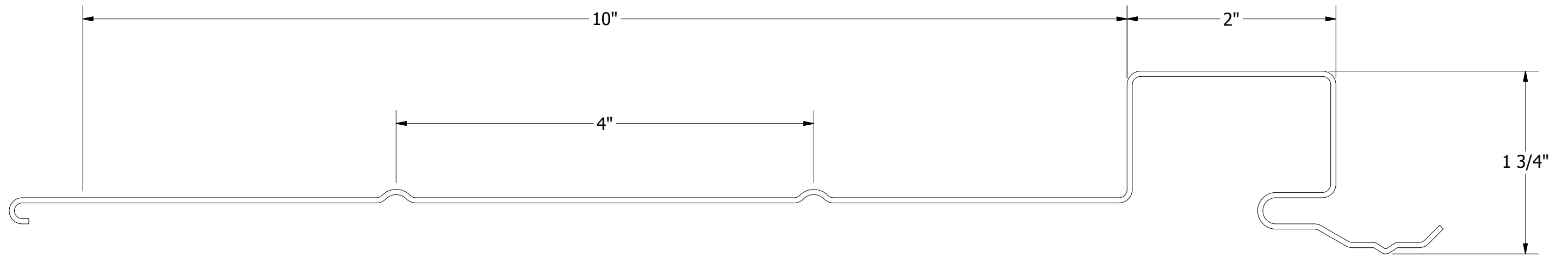
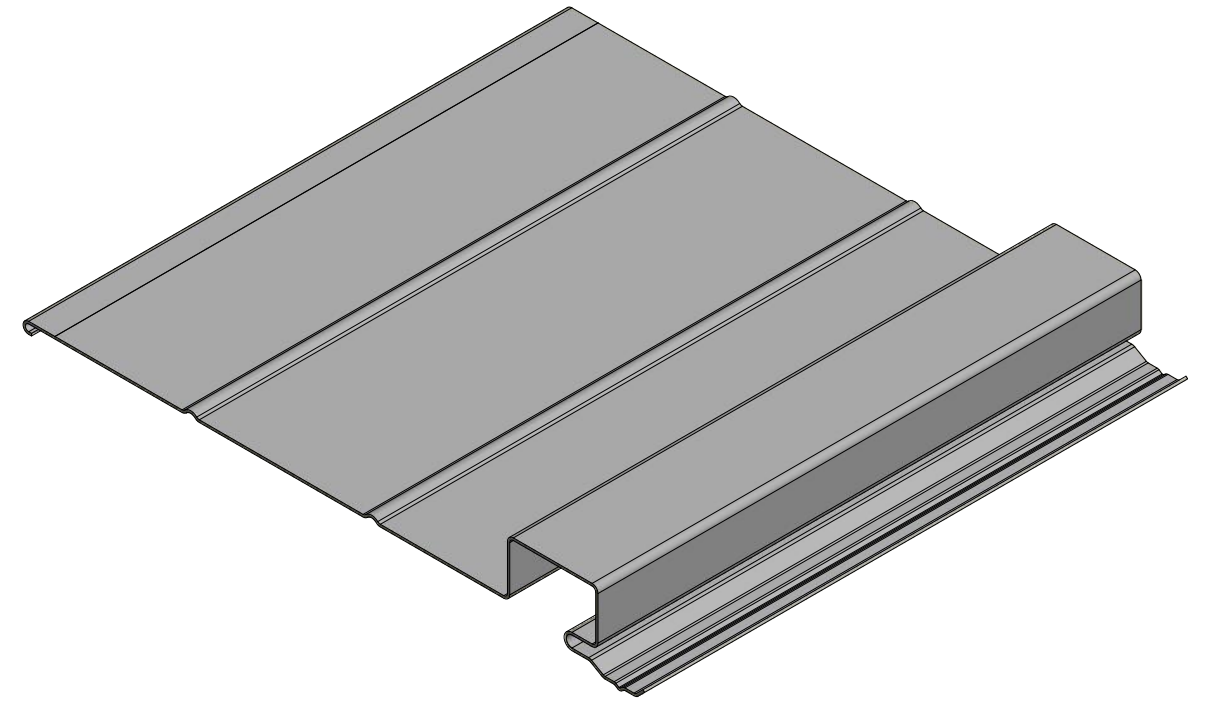


# DSH120 - 1

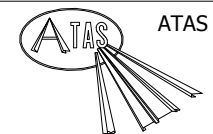
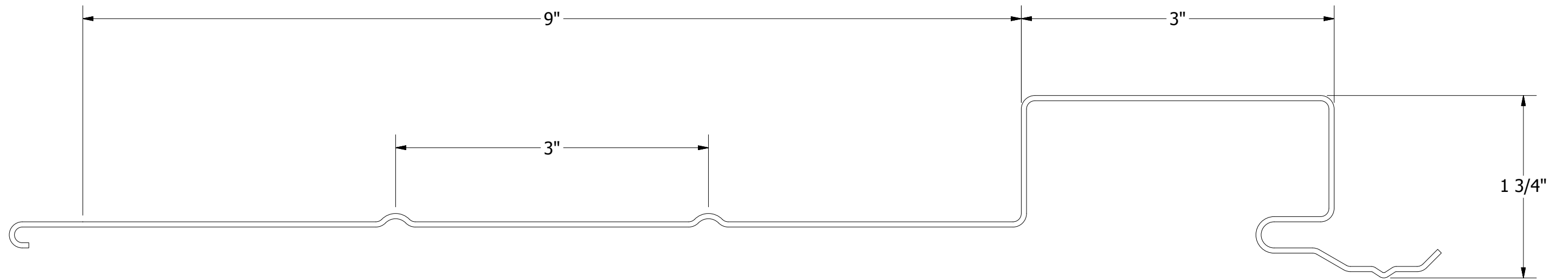
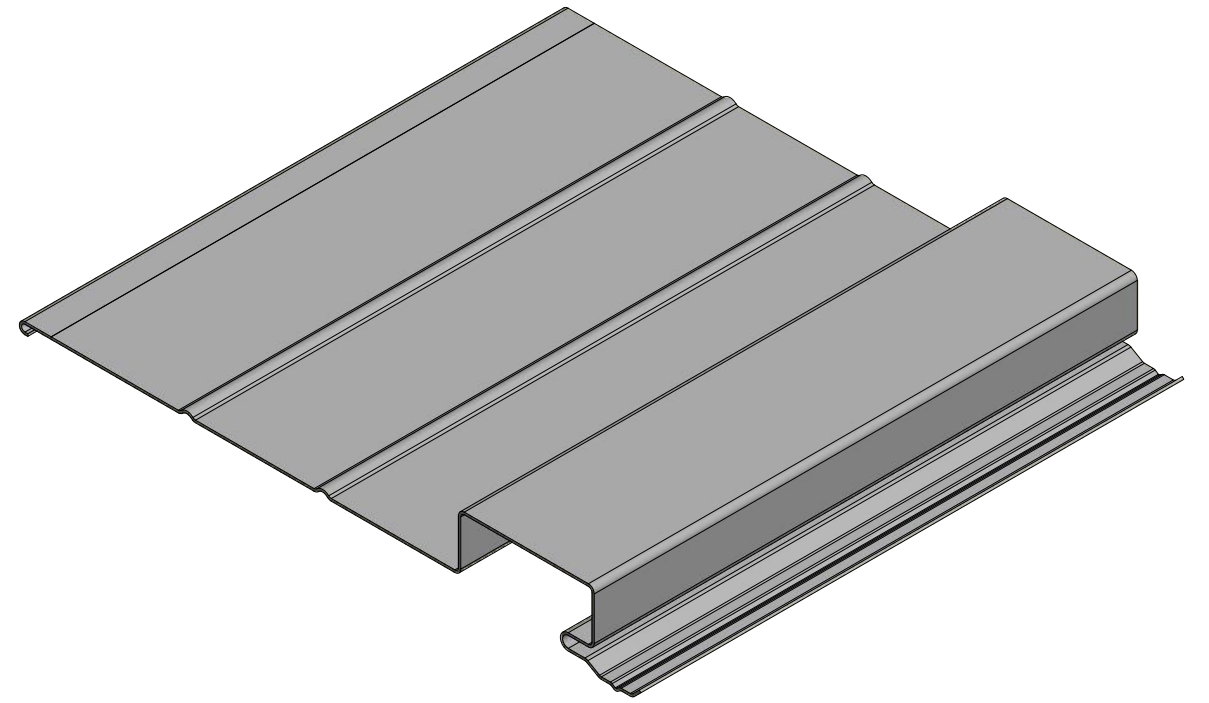


**ATAS INTERNATIONAL, INC**  
 Allentown PA  
 610-395-8445  
 Mesa AZ  
 480-558-7210

TITLE		<b>DSH Panel Detail</b>	
DWG. NO.	DR	DATE	10/30/2017
	DMR	DATE	
MATERIAL	APP	SH. SIZE	B
		SCALE	X:X

REV. NO.	DATE	DESCRIPTION OF REVISION	BY	APP

# DSH120 - 2

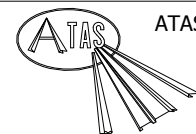
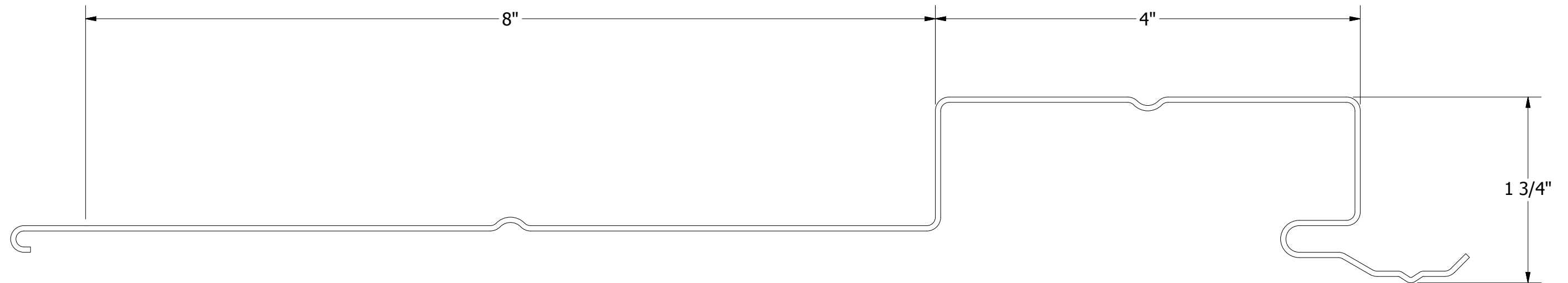
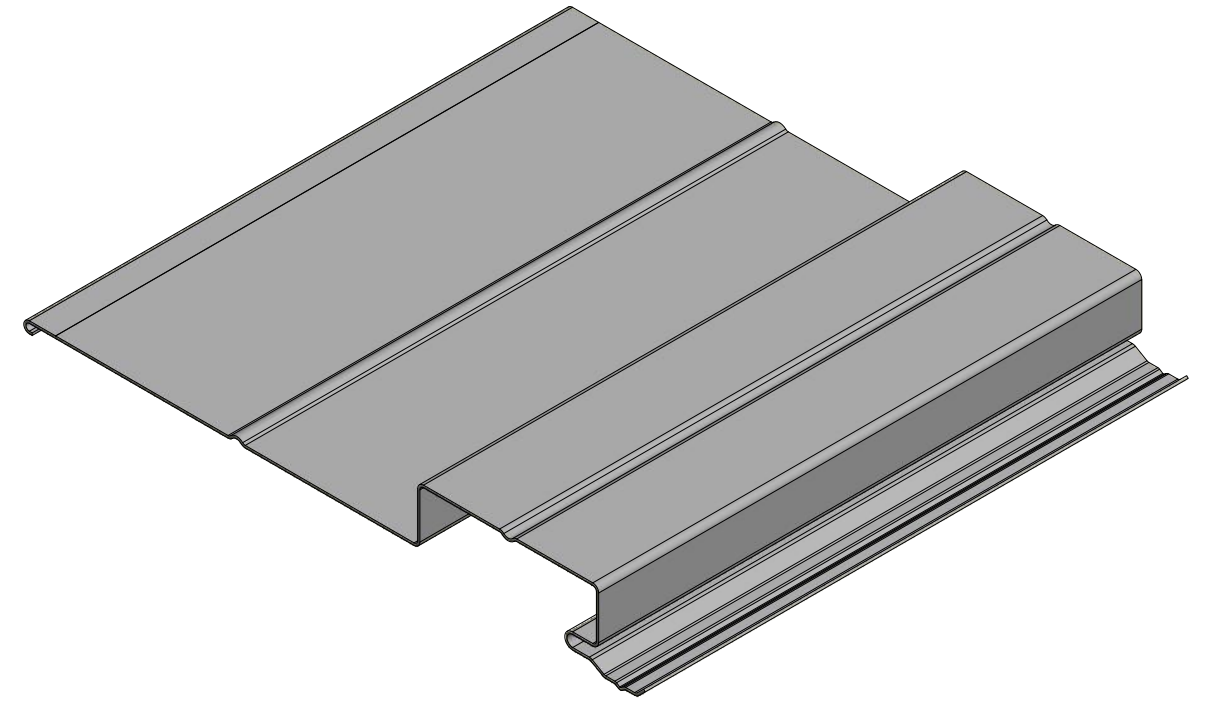


**ATAS INTERNATIONAL, INC**  
 Allentown PA  
 610-395-8445  
 Mesa AZ  
 480-558-7210

TITLE		<b>DSH Panel Detail</b>	
DWG. NO.	DR	DATE	10/30/2017
	DMR	DATE	
MATERIAL	APP	SH. SIZE	B
		SCALE	X:X

REV. NO.	DATE	DESCRIPTION OF REVISION	BY	APP

DSH120 - 3

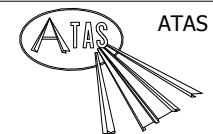
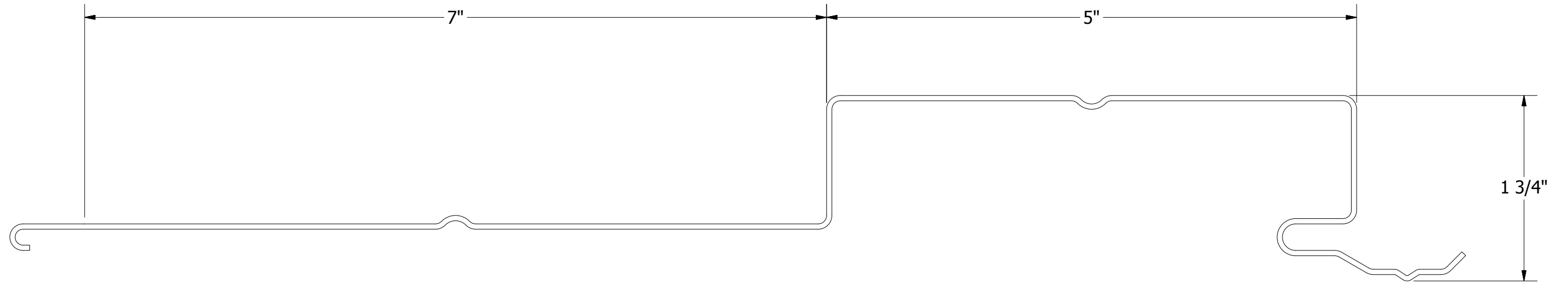
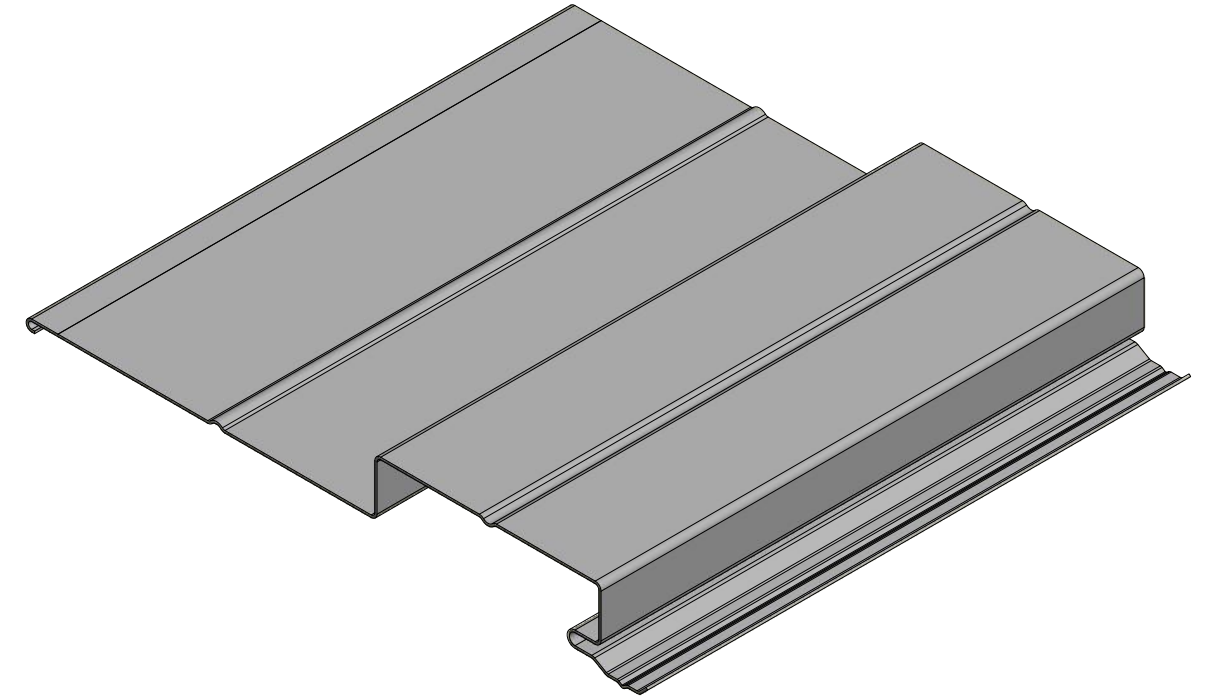


ATAS INTERNATIONAL, INC  
 Allentown PA  
 610-395-8445  
 Mesa AZ  
 480-558-7210

TITLE		DSH Panel Detail	
DWG. NO.	DR	DATE	10/30/2017
	DMR	DATE	
MATERIAL	APP	SH. SIZE	B
		SCALE	X:X

REV. NO.	DATE	DESCRIPTION OF REVISION	BY	APP

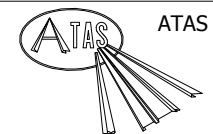
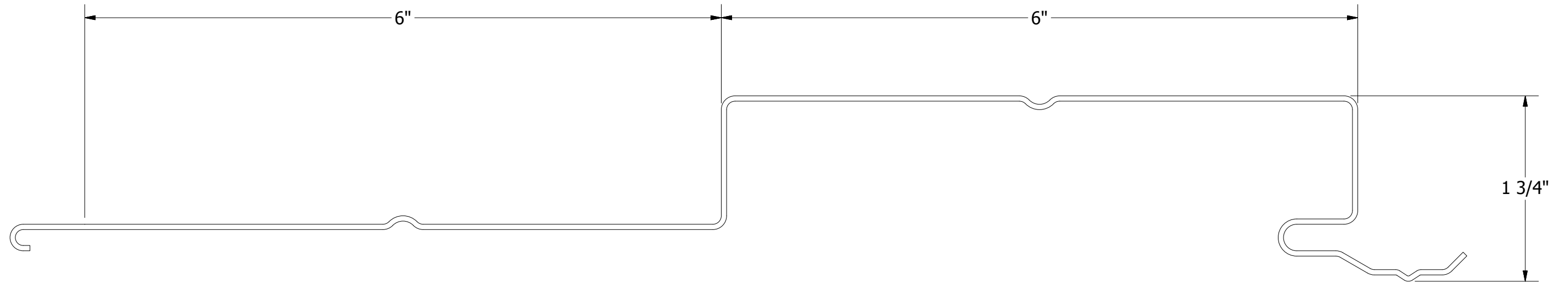
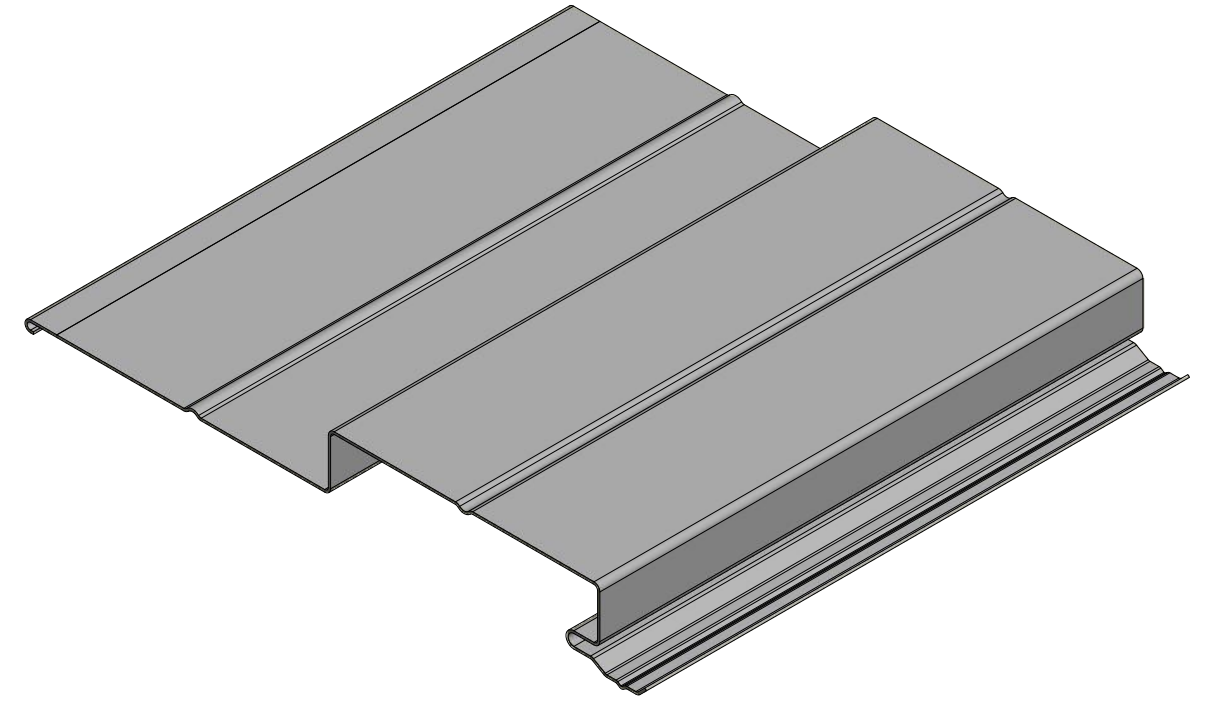
DSH120 - 4



ATAS INTERNATIONAL, INC  
 Allentown PA  
 610-395-8445  
 Mesa AZ  
 480-558-7210

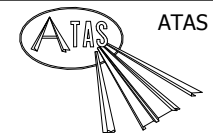
REV. NO.		DATE	DESCRIPTION OF REVISION	BY	APP	TITLE		DSH Panel Detail	
DWG. NO.		DR			DMR	DATE	10/30/2017		
MATERIAL		APP			DATE				
SH. SIZE		B			SCALE	X:X			

# DSH120 - 5

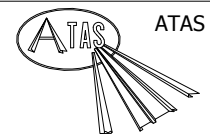
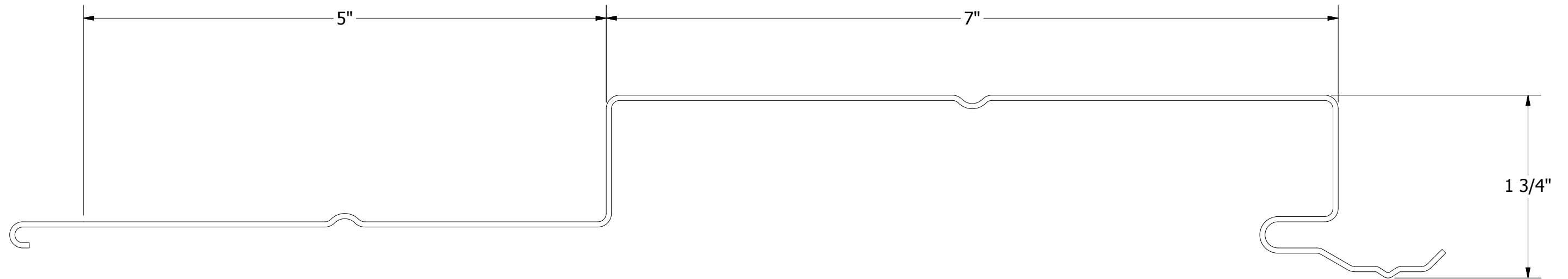
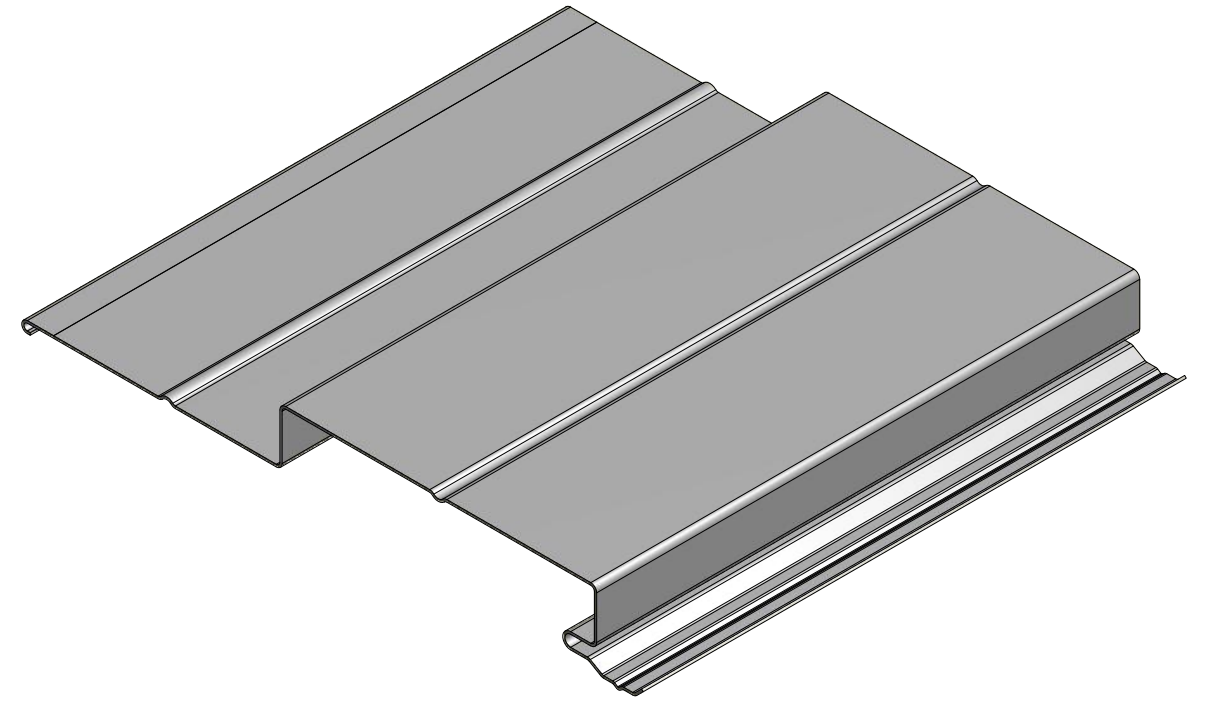


**ATAS INTERNATIONAL, INC**  
 Allentown PA  
 610-395-8445  
 Mesa AZ  
 480-558-7210

REV. NO.	DATE	DESCRIPTION OF REVISION	BY	APP

 <b>ATAS INTERNATIONAL, INC</b> Allentown PA 610-395-8445 Mesa AZ 480-558-7210			
TITLE			
<b>DSH Panel Detail</b>			
DWG. NO.	DR	DATE	
	DMR	10/30/2017	
MATERIAL	APP	DATE	
SH. SIZE	B	SCALE	X:X

DSH120 - 6

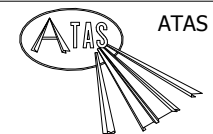
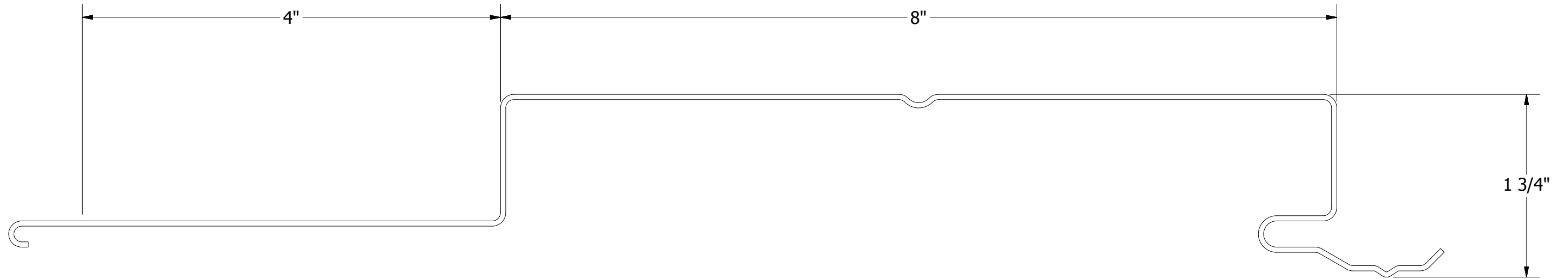
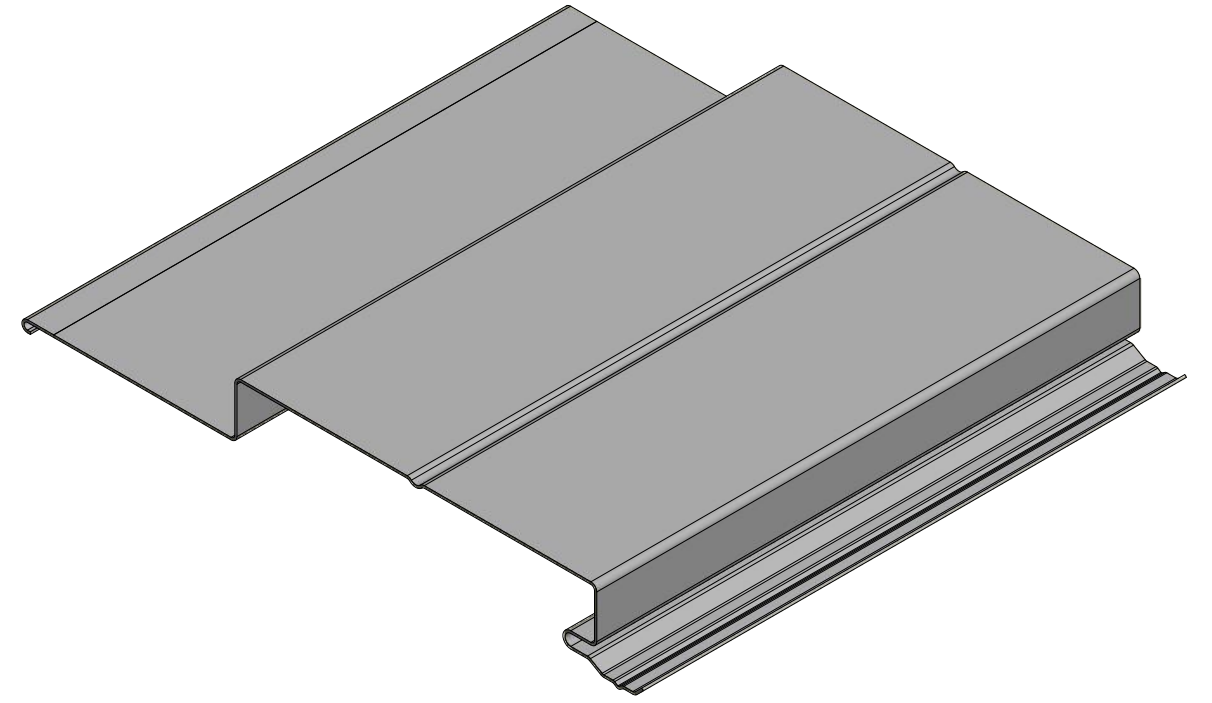


ATAS INTERNATIONAL, INC  
 Allentown PA  
 610-395-8445  
 Mesa AZ  
 480-558-7210

TITLE		DSH Panel Detail	
DWG. NO.	DR	DATE	10/30/2017
	DMR	DATE	
MATERIAL	APP	SH. SIZE	B
		SCALE	X:X

REV. NO.	DATE	DESCRIPTION OF REVISION	BY	APP

DSH120 - 7

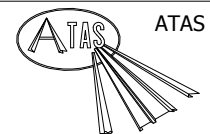
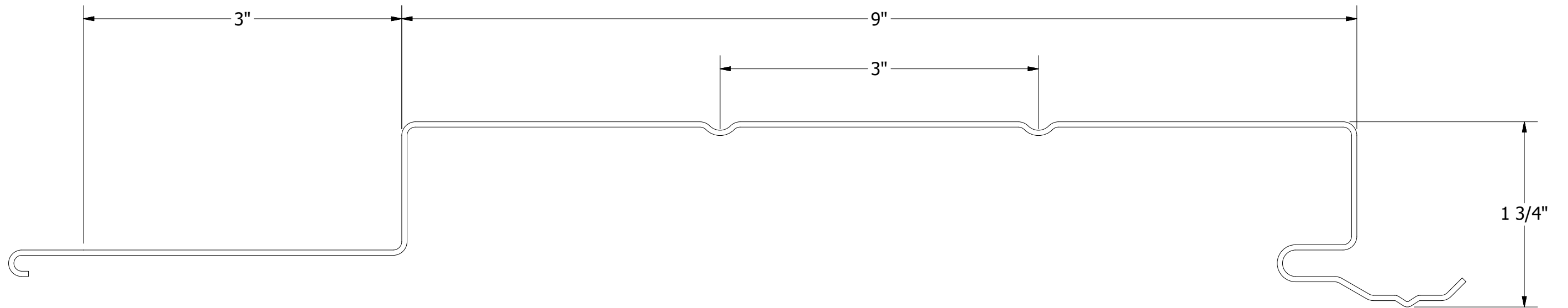
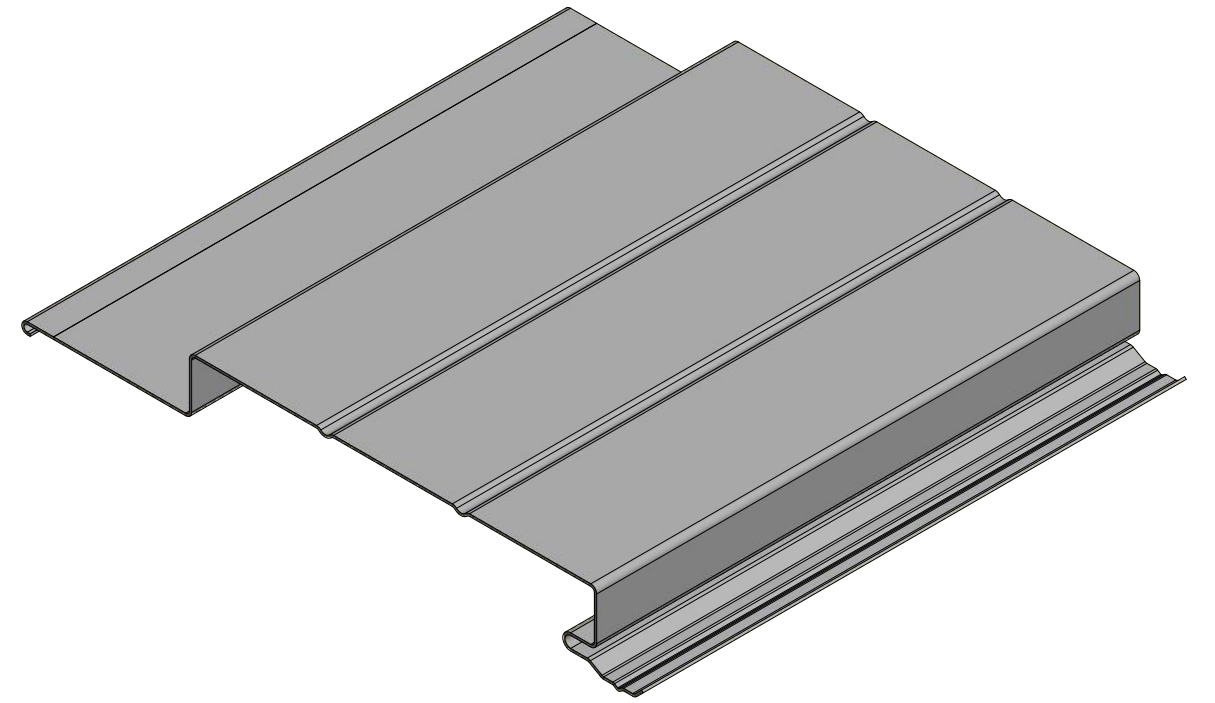


ATAS INTERNATIONAL, INC  
 Allentown PA  
 610-395-8445  
 Mesa AZ  
 480-558-7210

TITLE		DSH Panel Detail	
DWG. NO.	DR	DATE	10/30/2017
	DMR	DATE	
MATERIAL	APP	SH. SIZE	B
		SCALE	X:X

REV. NO.	DATE	DESCRIPTION OF REVISION	BY	APP

DSH120 - 8



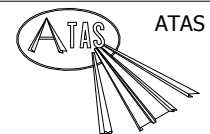
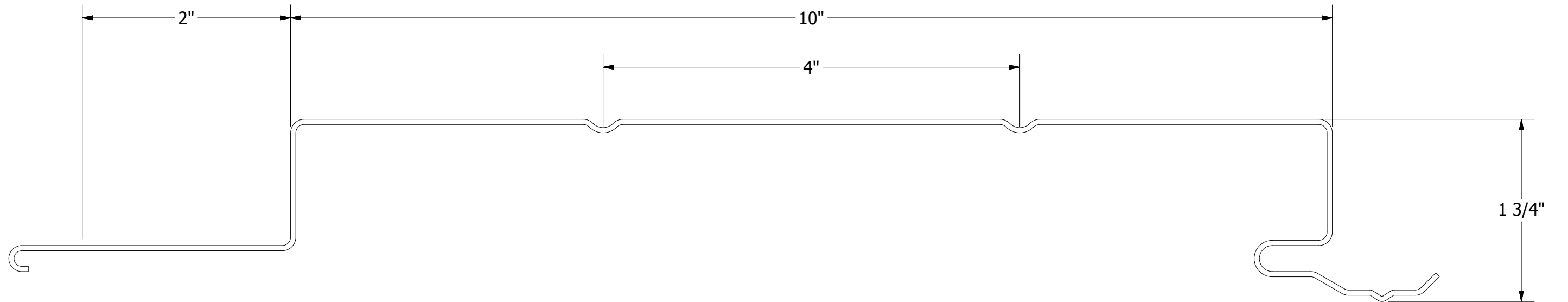
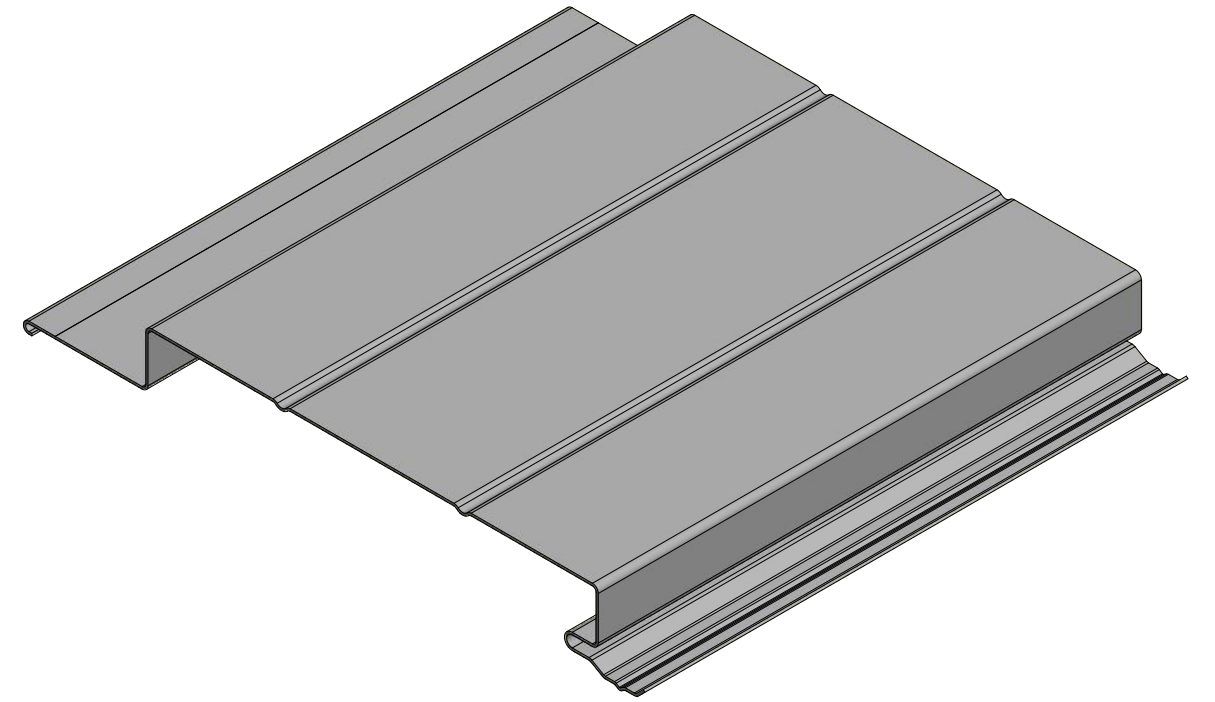
ATAS INTERNATIONAL, INC  
 Allentown PA  
 610-395-8445  
 Mesa AZ  
 480-558-7210

TITLE		DSH Panel Detail	
DWG. NO.	DR	DATE	10/30/2017
	DMR	DATE	
MATERIAL	APP	SH. SIZE	B
		SCALE	X:X

REV. NO.	DATE	DESCRIPTION OF REVISION	BY	APP



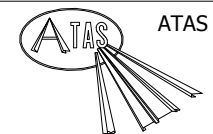
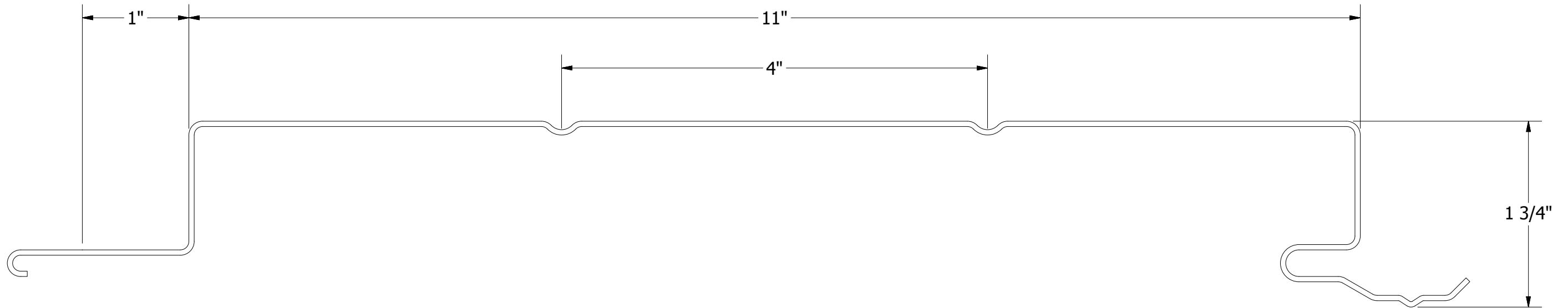
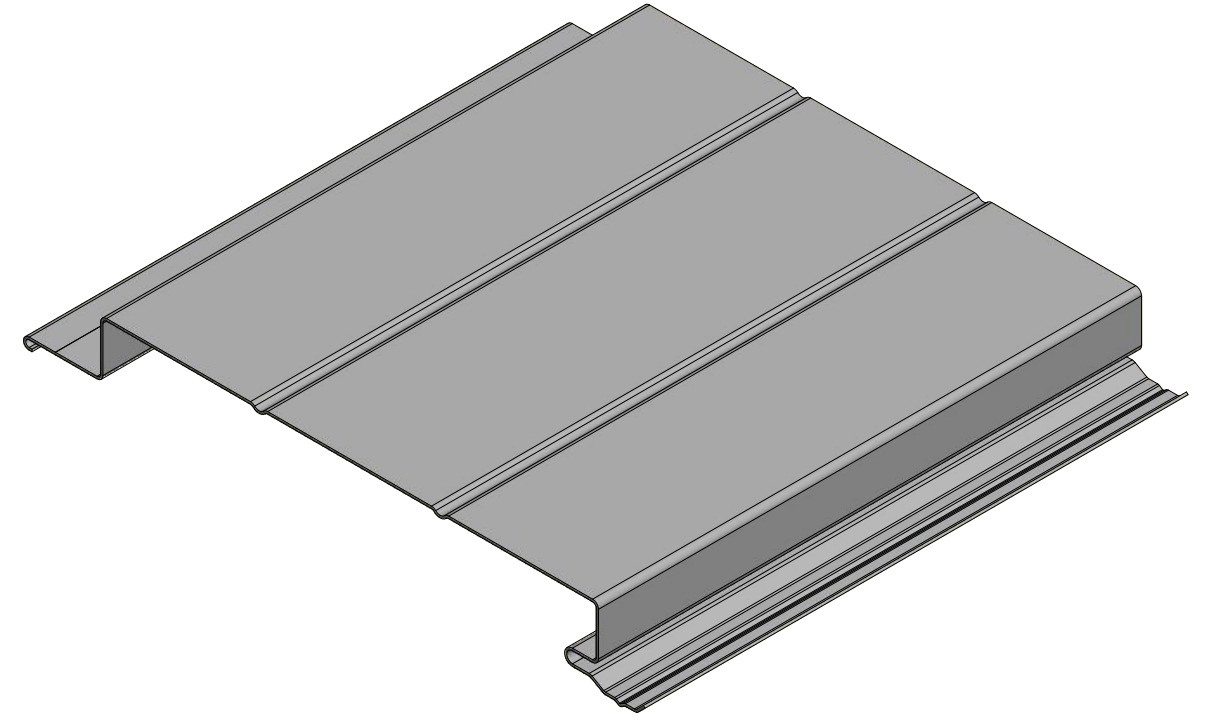
# DSH120 - 9



**ATAS INTERNATIONAL, INC**  
 Allentown PA  
 610-395-8445  
 Mesa AZ  
 480-558-7210

REV. NO.		DATE	DESCRIPTION OF REVISION	BY	APP	TITLE		DWG. NO.		DR	DMR	DATE
						DSH Panel Detail						10/30/2017
								MATERIAL		APP		DATE
								SH. SIZE		B	SCALE	X:X

# DSH120 - 10

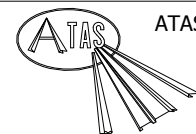
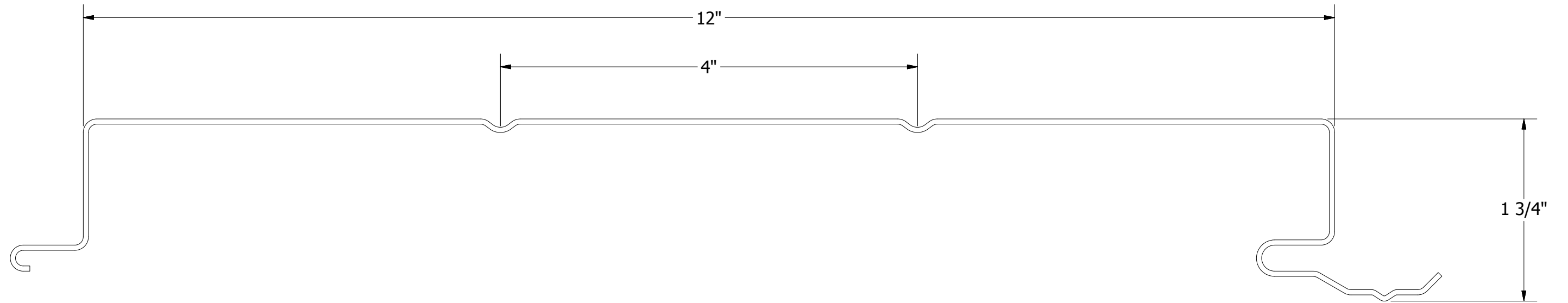
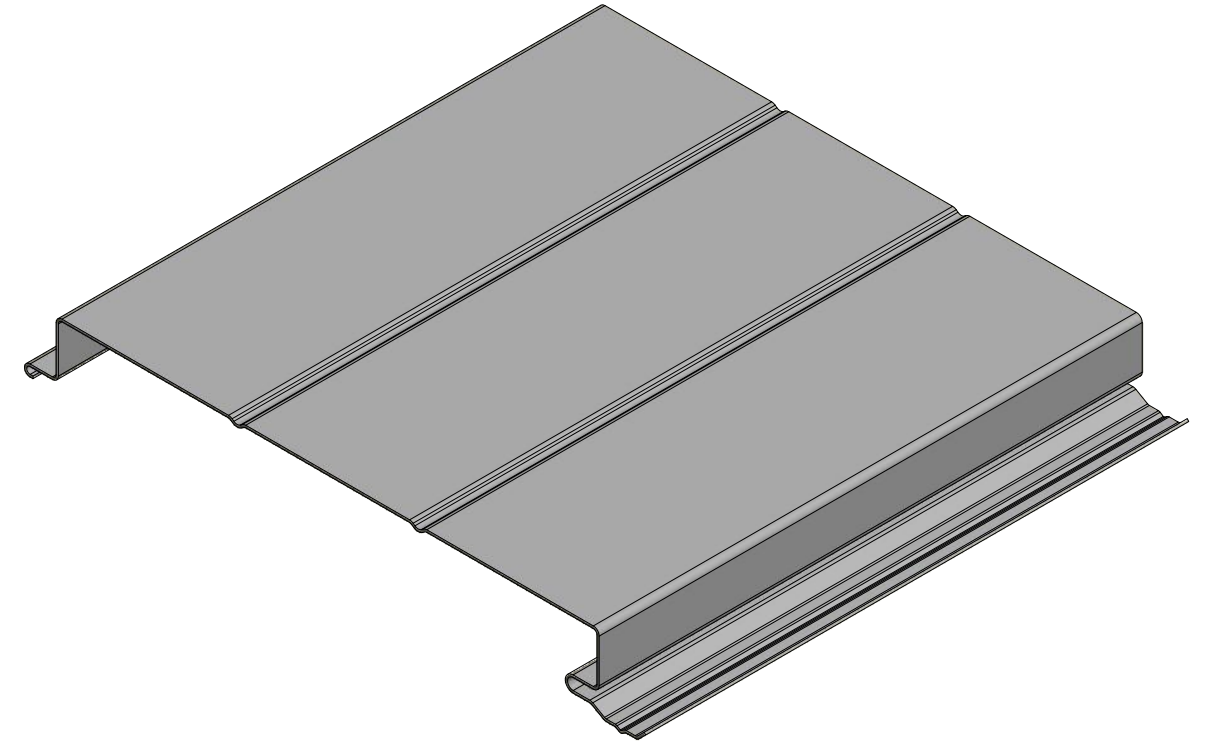


**ATAS INTERNATIONAL, INC**  
 Allentown PA  
 610-395-8445  
 Mesa AZ  
 480-558-7210

TITLE		<b>DSH Panel Detail</b>	
DWG. NO.	DR	DATE	10/30/2017
	DMR	DATE	
MATERIAL	APP	SH. SIZE	B
		SCALE	X:X

REV. NO.	DATE	DESCRIPTION OF REVISION	BY	APP

DSH120 - 11



ATAS INTERNATIONAL, INC  
 Allentown PA  
 610-395-8445  
 Mesa AZ  
 480-558-7210

REV. NO.		DATE	DESCRIPTION OF REVISION	BY	APP	TITLE		DSH Panel Detail	
						DWG. NO.	DR	DMR	DATE
						MATERIAL	APP		DATE
						SH. SIZE	B	SCALE	X:X

TITLE

DATE 10/30/2017