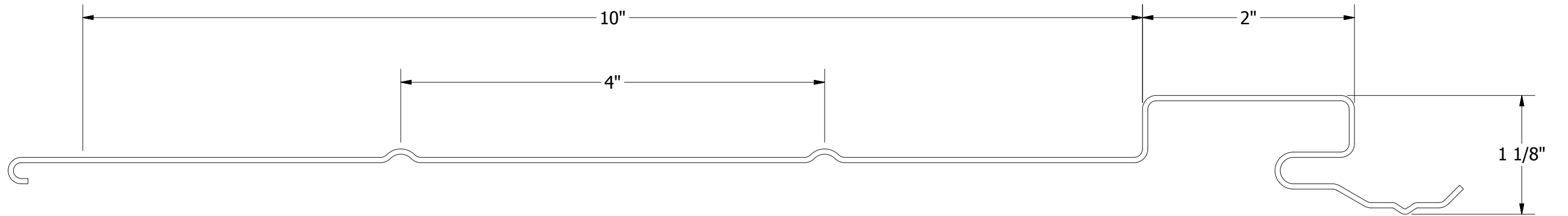
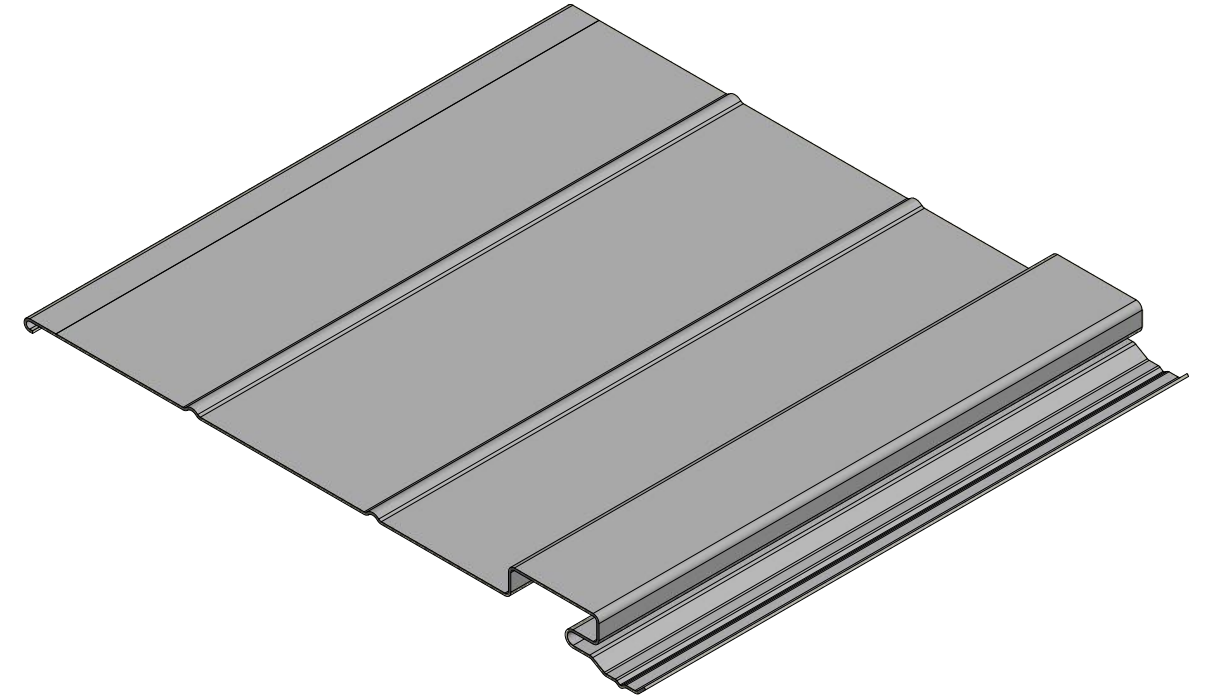


DWH120 - 1

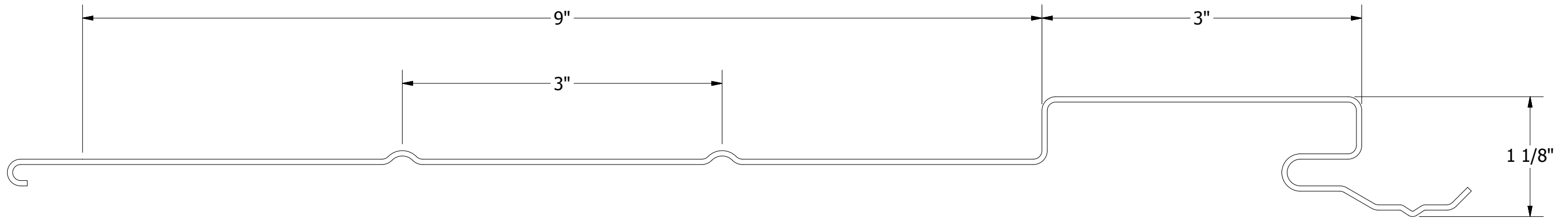
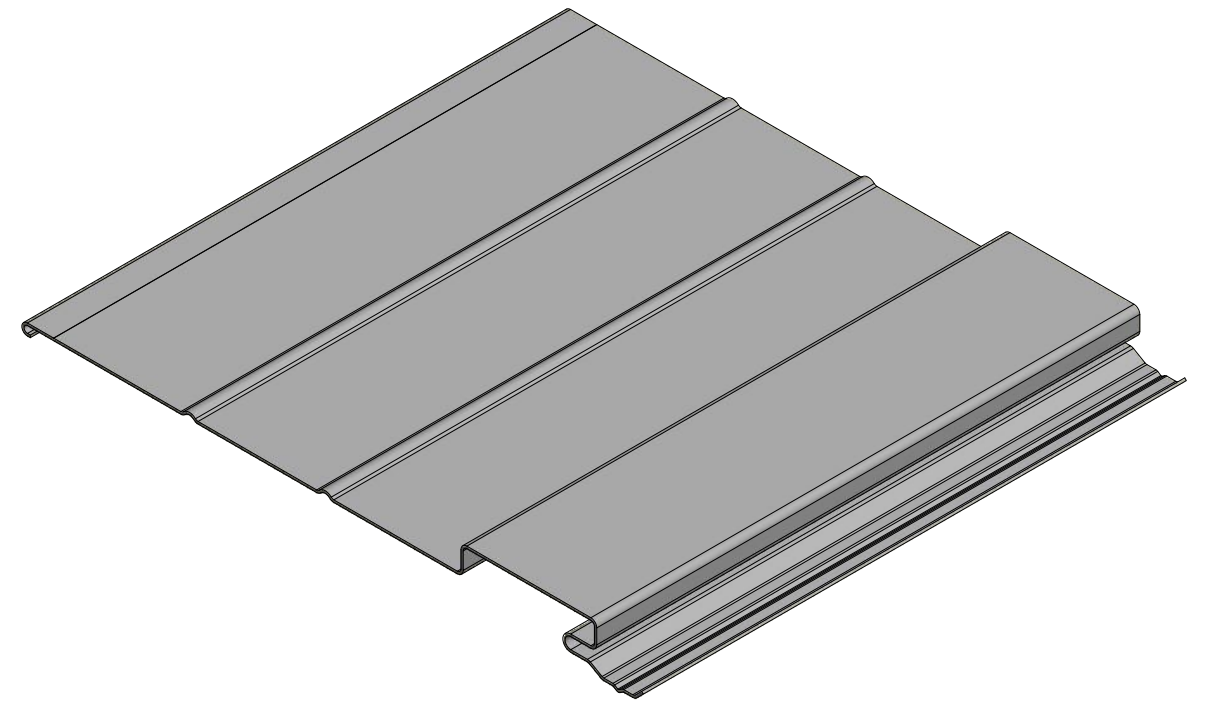


ATAS ATAS INTERNATIONAL, INC
 Allentown PA
 610-395-8445
 Mesa AZ
 480-558-7210

TITLE		DWH Panel Detail	
DWG. NO.	DR	DATE	10/30/2017
	DMR	DATE	
MATERIAL	APP	SH. SIZE	B
		SCALE	X:X

REV. NO.	DATE	DESCRIPTION OF REVISION	BY	APP

DWH120 - 2

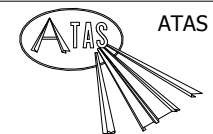
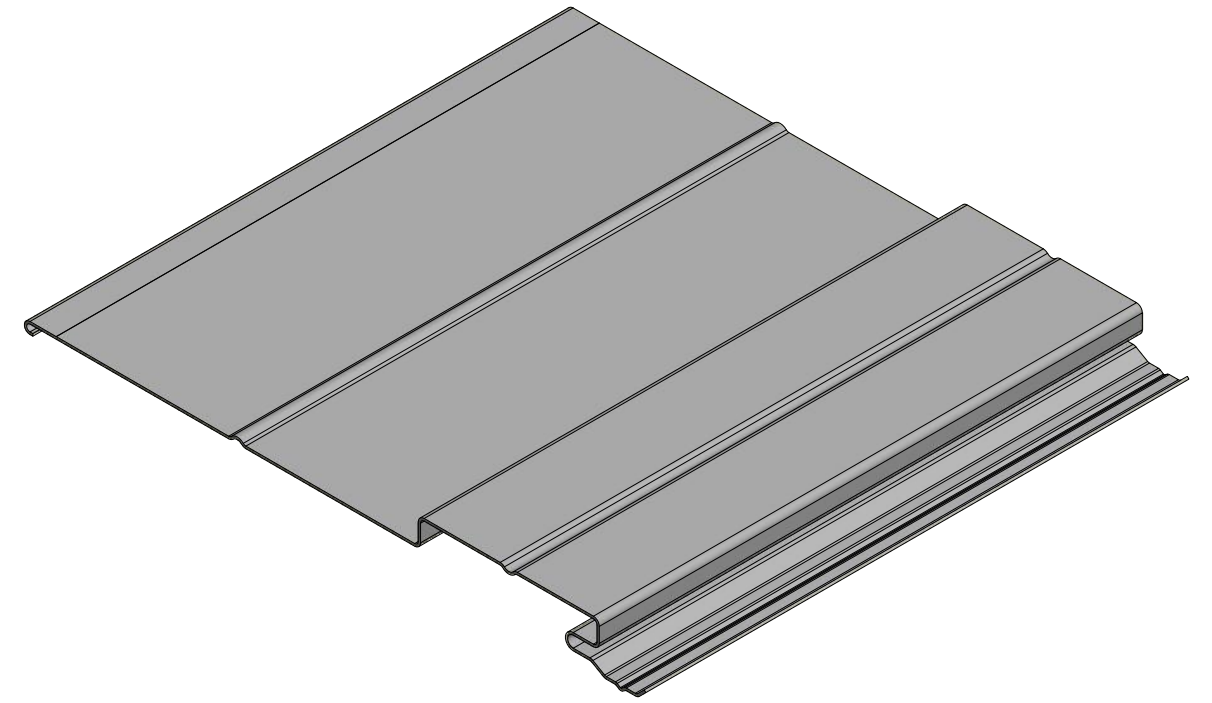


ATAS
 ATAS INTERNATIONAL, INC
 Allentown PA
 610-395-8445
 Mesa AZ
 480-558-7210

TITLE		DWH Panel Detail	
DWG. NO.	DR	DATE	
	DMR	10/30/2017	
MATERIAL	APP	DATE	
	SH. SIZE	SCALE	X:X

REV. NO.	DATE	DESCRIPTION OF REVISION	BY	APP

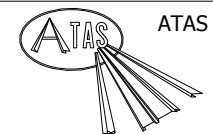
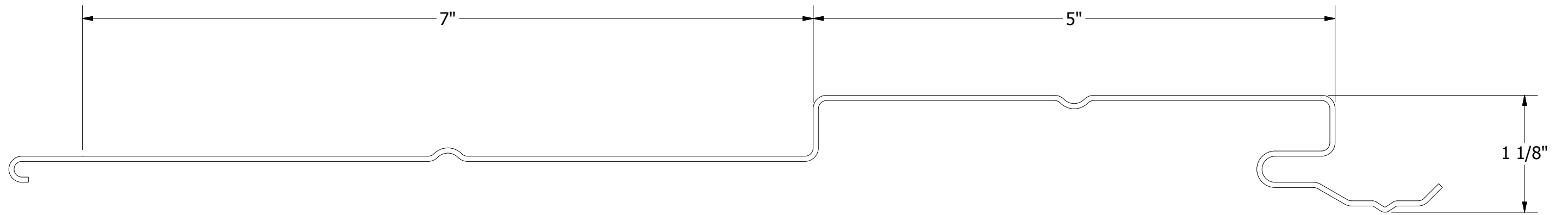
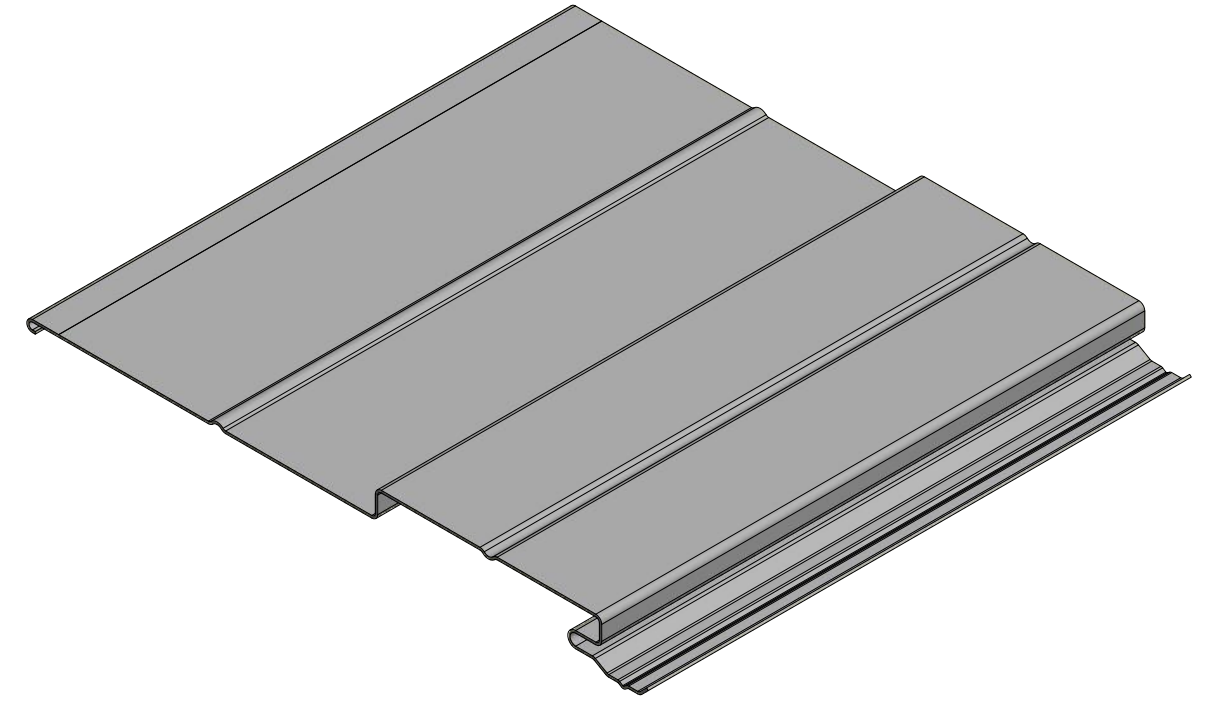
DWH120 - 3



ATAS INTERNATIONAL, INC
 Allentown PA
 610-395-8445
 Mesa AZ
 480-558-7210

REV. NO.		DATE	DESCRIPTION OF REVISION	BY	APP	TITLE		DWH Panel Detail	
DWG. NO.		DR			DMR	DATE	10/30/2017		
MATERIAL		APP			DATE				
SH. SIZE		B			SCALE	X:X			

DWH120 - 4

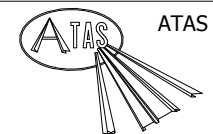
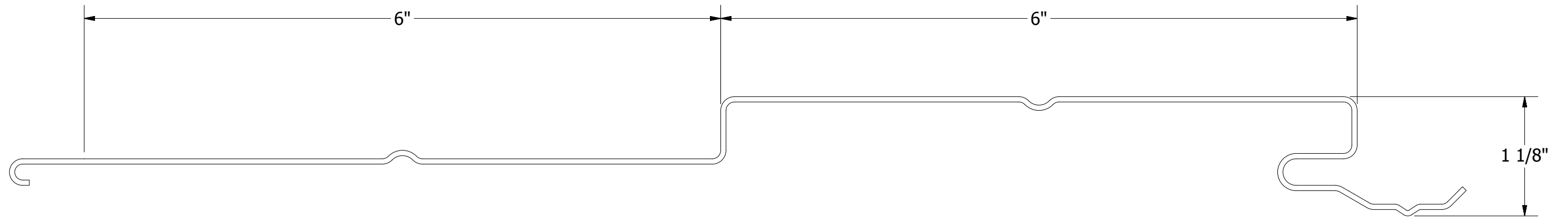
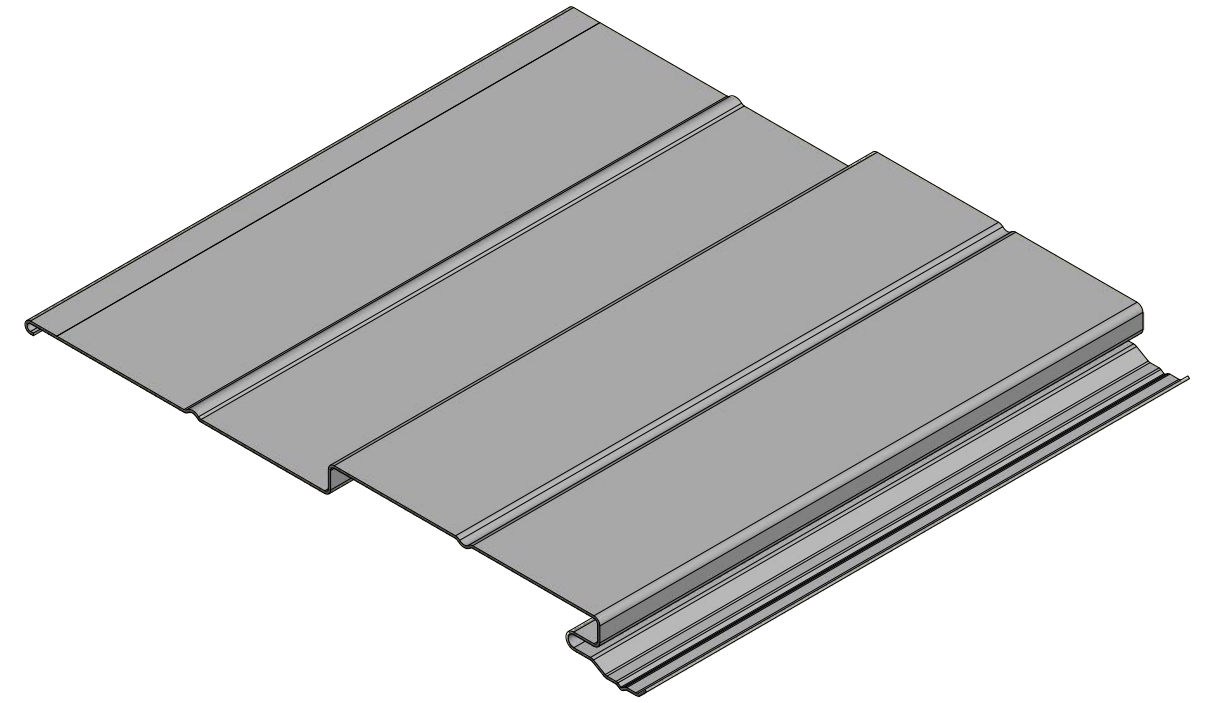


ATAS INTERNATIONAL, INC
 Allentown PA
 610-395-8445
 Mesa AZ
 480-558-7210

TITLE		DWH Panel Detail	
DWG. NO.	DR	DATE	10/30/2017
	DMR	DATE	
MATERIAL	APP	SH. SIZE	B
		SCALE	X:X

REV. NO.	DATE	DESCRIPTION OF REVISION	BY	APP

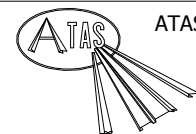
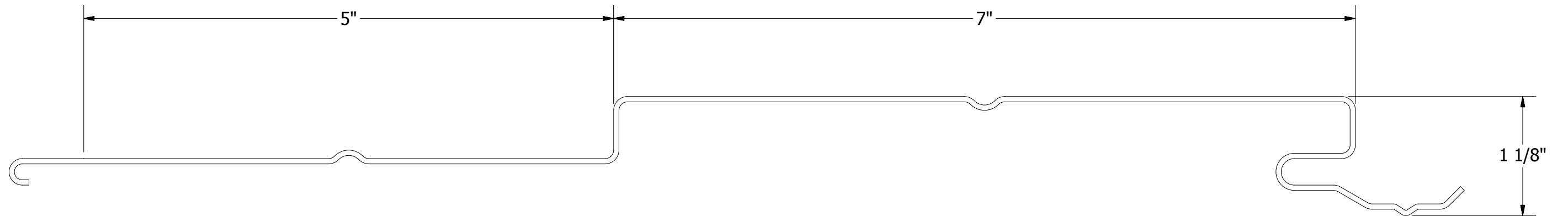
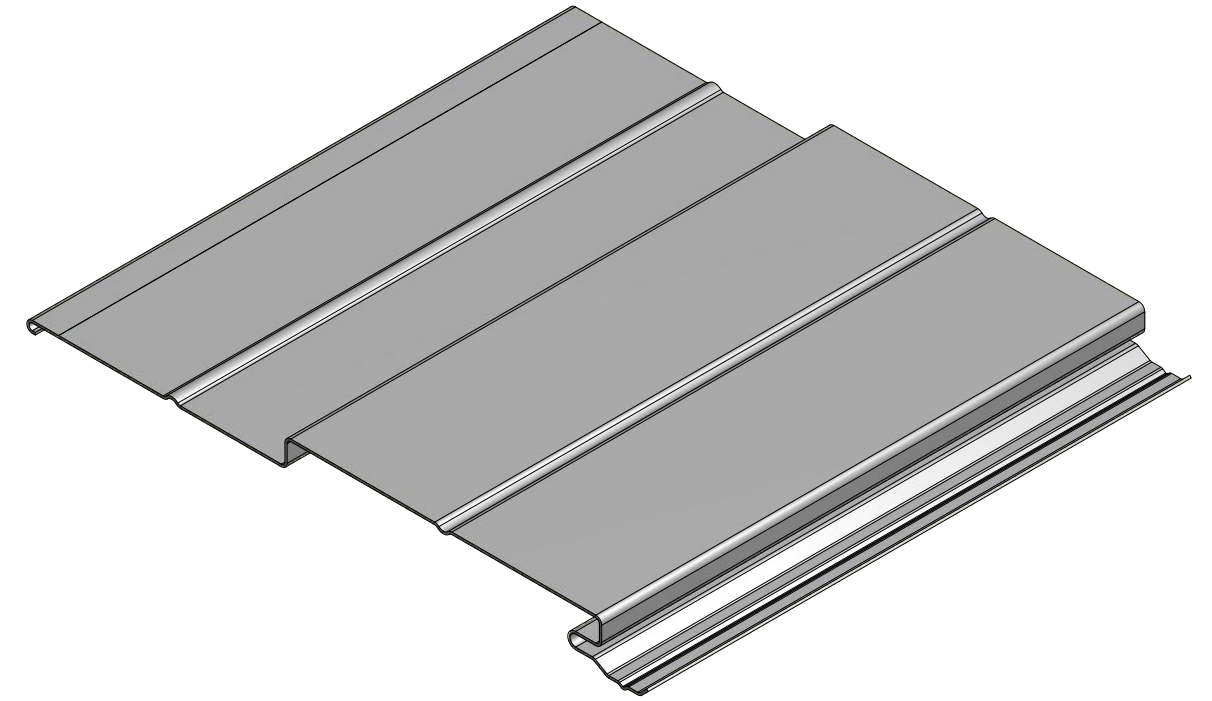
DWH120 - 5



ATAS INTERNATIONAL, INC
 Allentown PA
 610-395-8445
 Mesa AZ
 480-558-7210

REV. NO.		DATE	DESCRIPTION OF REVISION	BY	APP	TITLE		DWH Panel Detail	
DWG. NO.		DR	DMR	DATE	10/30/2017	MATERIAL		SH. SIZE	B
						SCALE		X:X	

DWH120 - 6

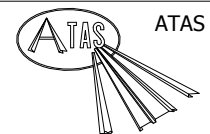
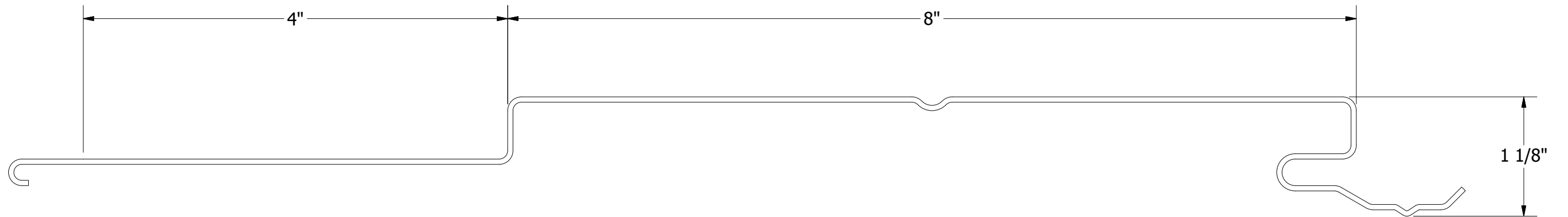
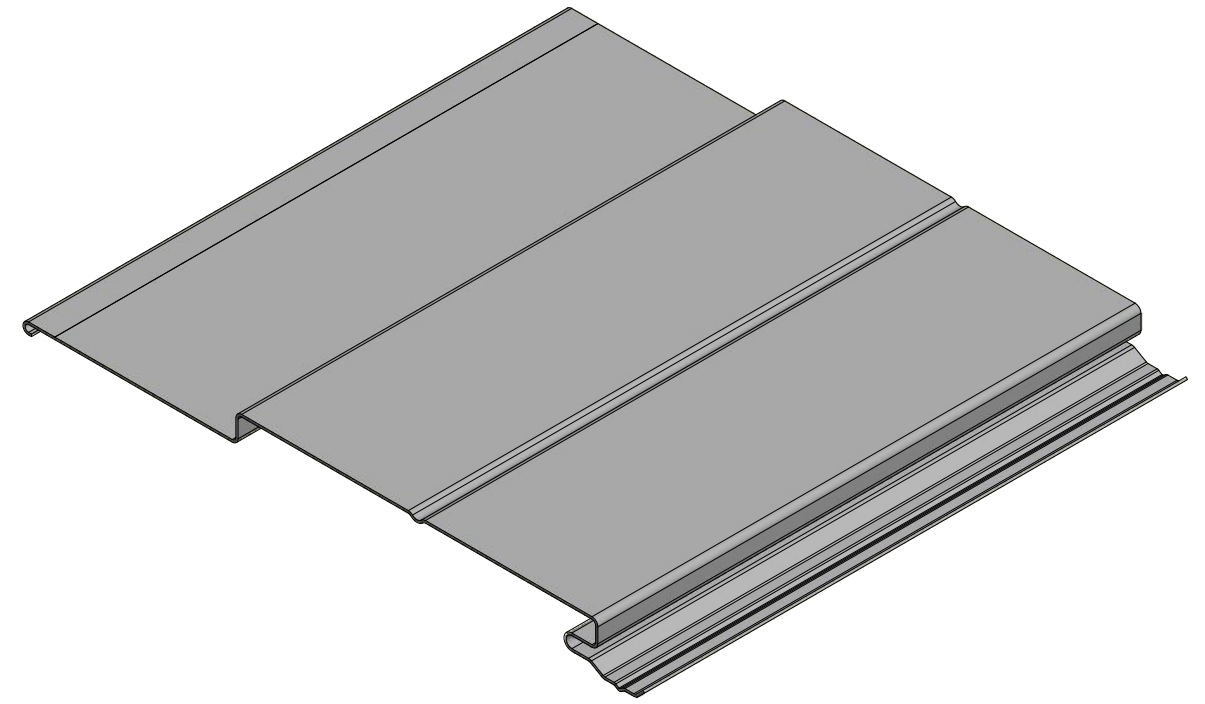


ATAS INTERNATIONAL, INC
 Allentown PA
 610-395-8445
 Mesa AZ
 480-558-7210

TITLE		DWH Panel Detail	
DWG. NO.	DR	DATE	10/30/2017
	DMR	DATE	
MATERIAL	APP	SH. SIZE	B
		SCALE	X:X

REV. NO.	DATE	DESCRIPTION OF REVISION	BY	APP

DWH120 - 7

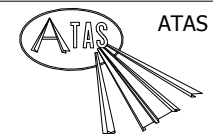
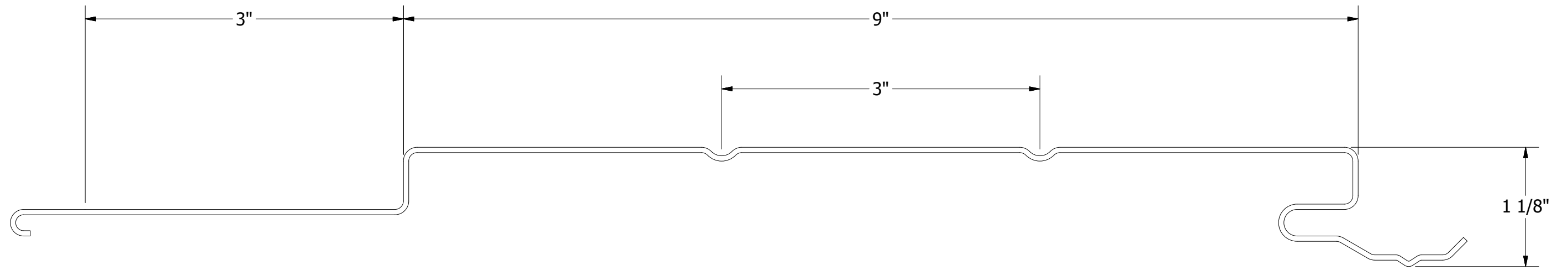
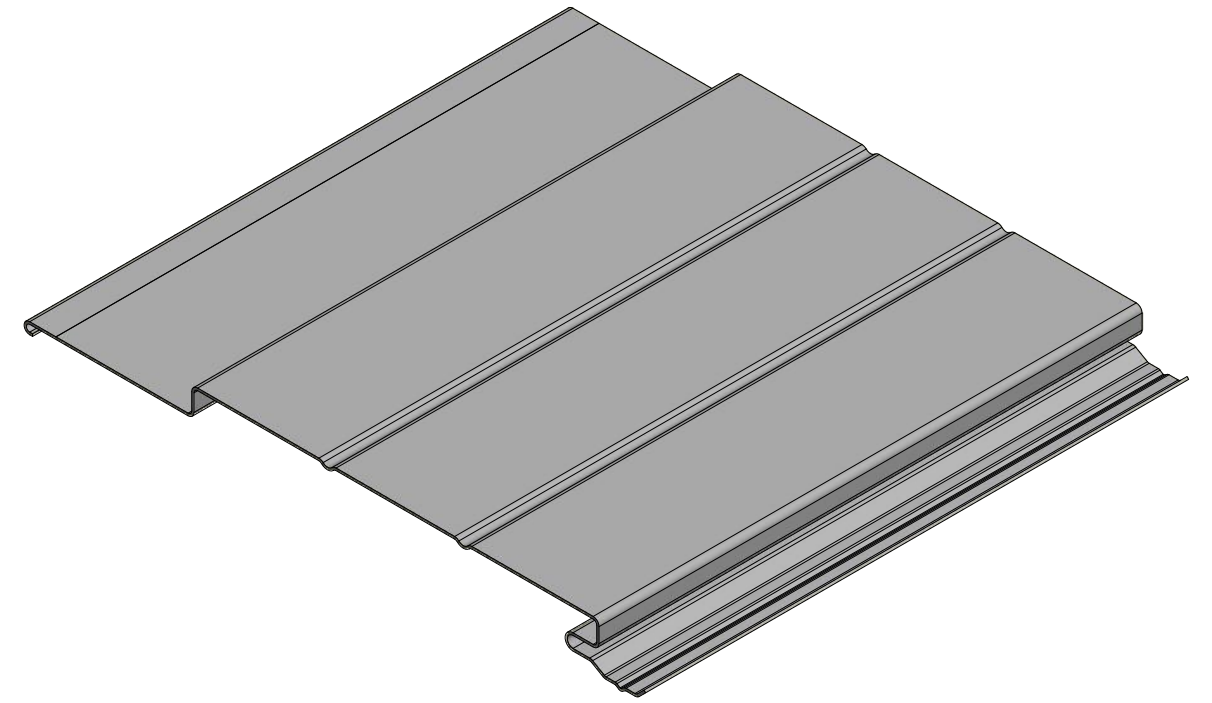


ATAS INTERNATIONAL, INC
 Allentown PA
 610-395-8445
 Mesa AZ
 480-558-7210

TITLE		DWH Panel Detail	
DWG. NO.	DR	DATE	10/30/2017
	DMR	DATE	
MATERIAL	APP	SH. SIZE	B
		SCALE	X:X

REV. NO.	DATE	DESCRIPTION OF REVISION	BY	APP

DWH120 - 8

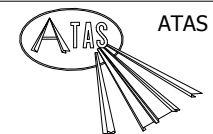
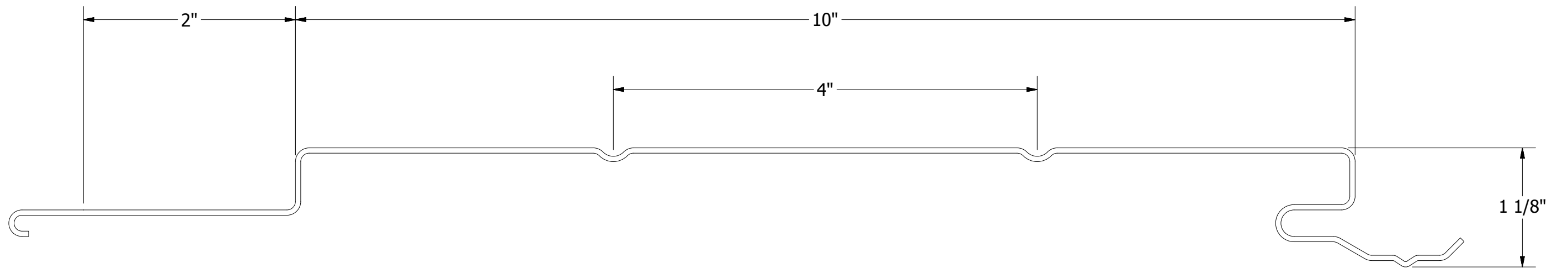
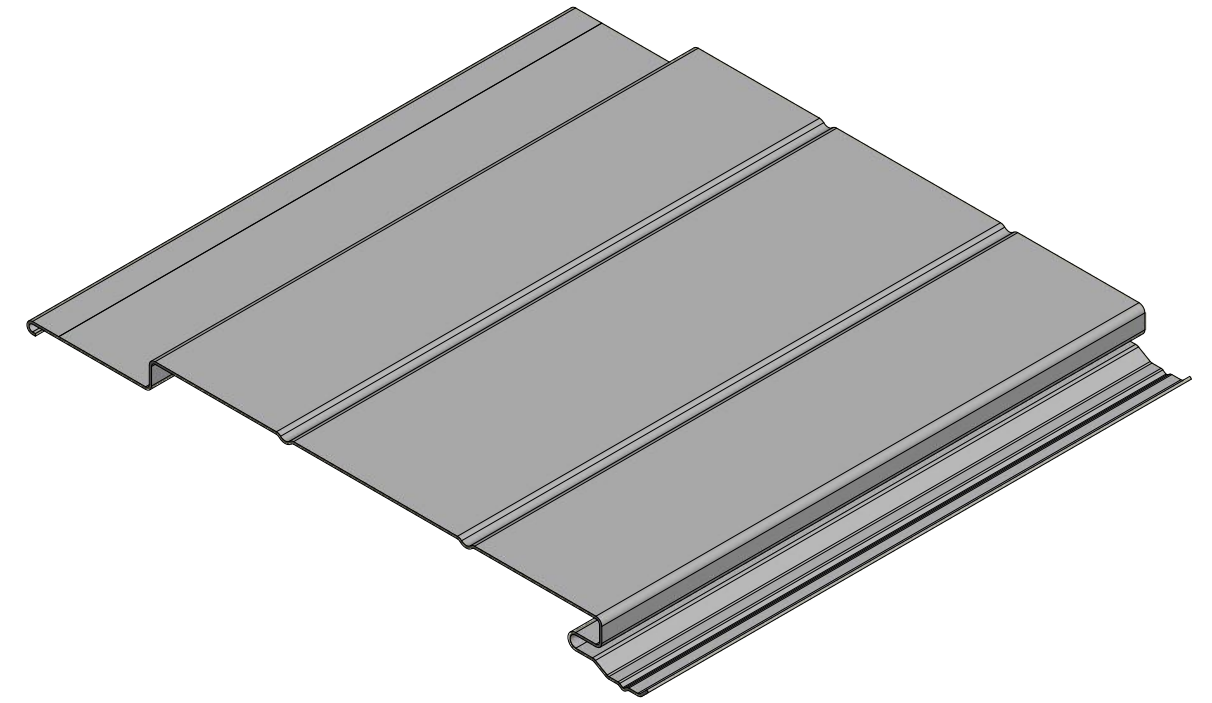


ATAS INTERNATIONAL, INC
 Allentown PA
 610-395-8445
 Mesa AZ
 480-558-7210

TITLE		DWH Panel Detail	
DWG. NO.	DR	DATE	
	DMR	10/30/2017	
MATERIAL	APP	DATE	
	SH. SIZE	B	SCALE X:X

REV. NO.	DATE	DESCRIPTION OF REVISION	BY	APP

DWH120 - 9

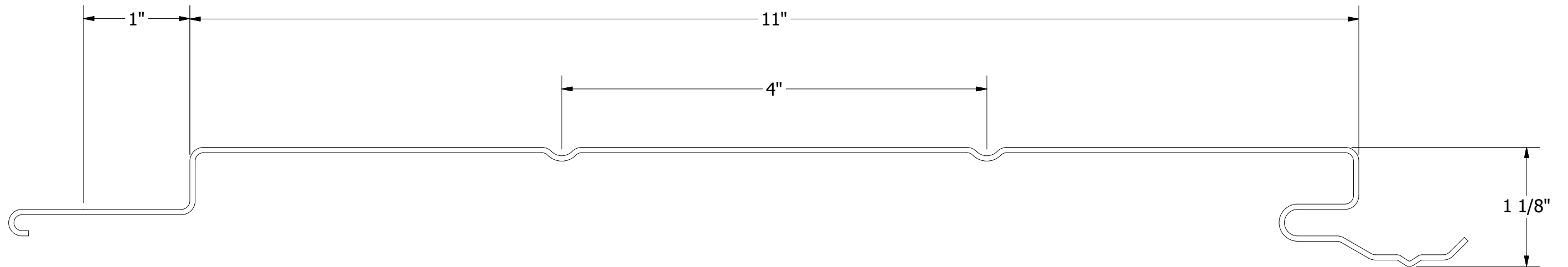
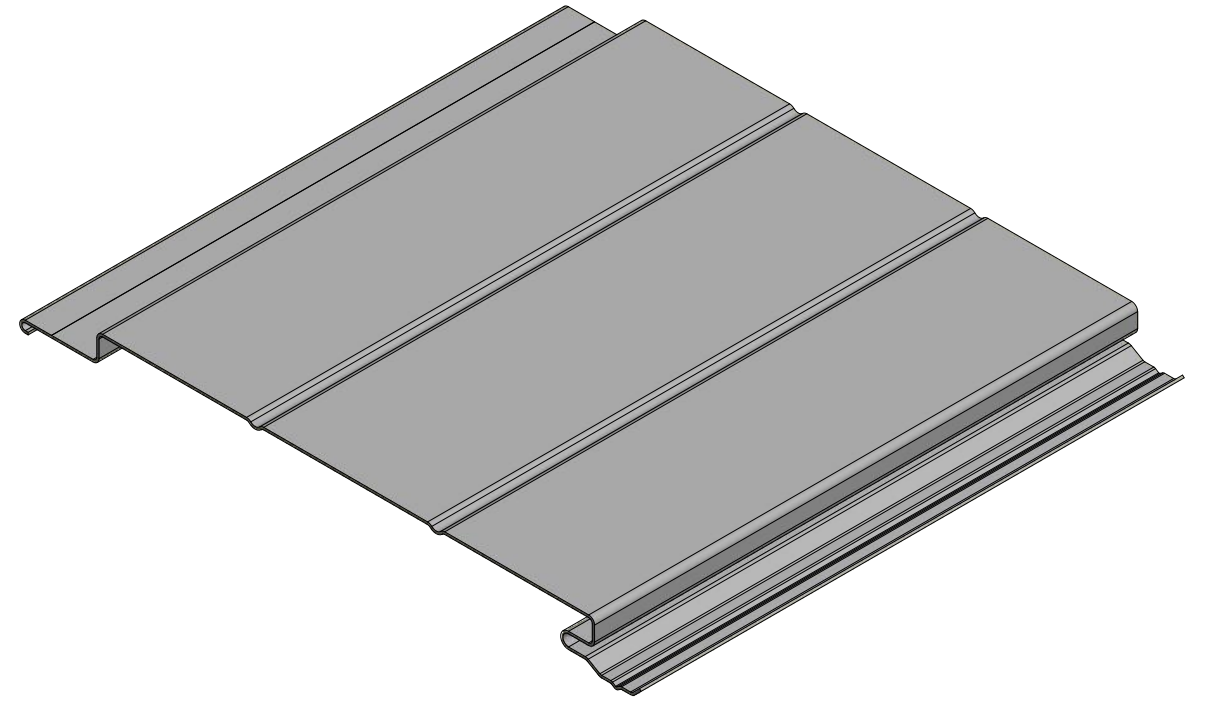


ATAS INTERNATIONAL, INC
 Allentown PA
 610-395-8445
 Mesa AZ
 480-558-7210

REV. NO.		DATE	DESCRIPTION OF REVISION	BY	APP	TITLE	
						DWH Panel Detail	
						DWG. NO.	DR
						APP	DMR
						MATERIAL	DATE
						SH. SIZE	B
						SCALE	X:X

DATE 10/30/2017

DWH120 - 10

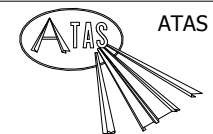
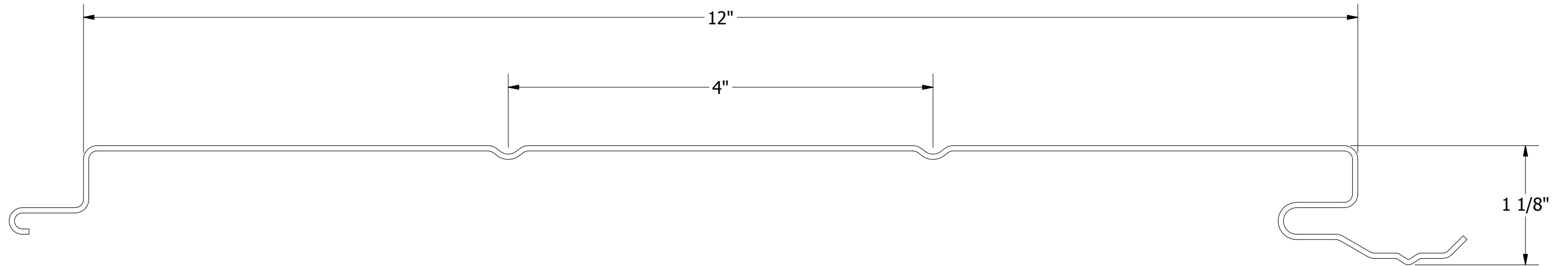
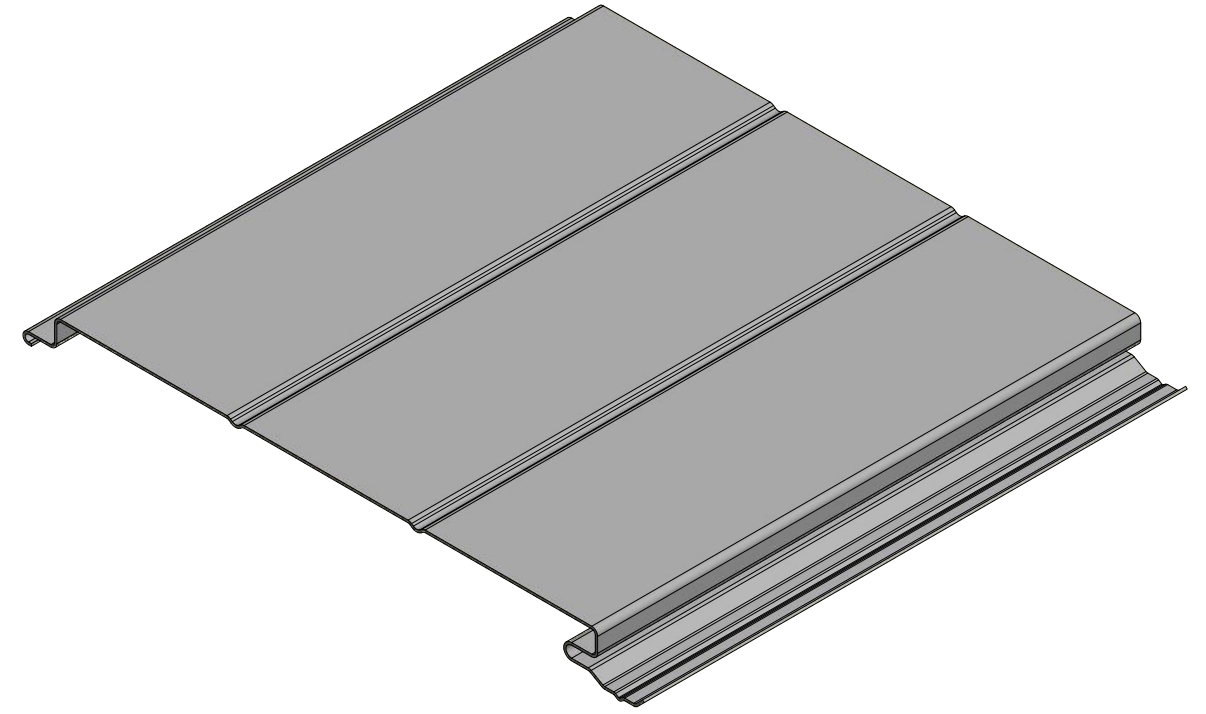



ATAS INTERNATIONAL, INC
 Allentown PA
 610-395-8445
 Mesa AZ
 480-558-7210

TITLE		DWH Panel Detail	
DWG. NO.	DR	DATE	
	DMR	10/30/2017	
MATERIAL	APP	DATE	
	SH. SIZE	SCALE	X:X
	B		

REV. NO.	DATE	DESCRIPTION OF REVISION	BY	APP

DWH120 - 11



ATAS INTERNATIONAL, INC
 Allentown PA
 610-395-8445
 Mesa AZ
 480-558-7210

REV. NO.		DATE	DESCRIPTION OF REVISION	BY	APP	TITLE		DWH Panel Detail	
						DWG. NO.	DR	DMR	DATE
						MATERIAL	APP		DATE
						SH. SIZE	B	SCALE	X:X

DATE 10/30/2017