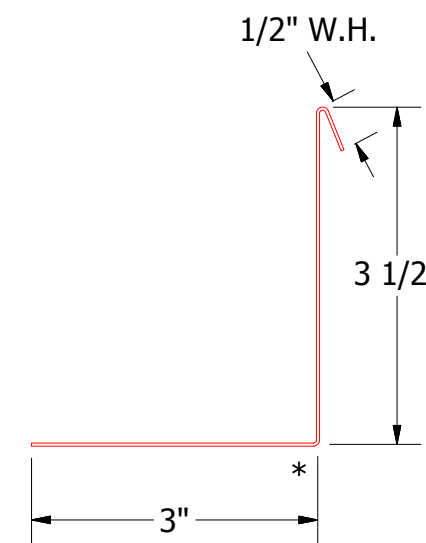
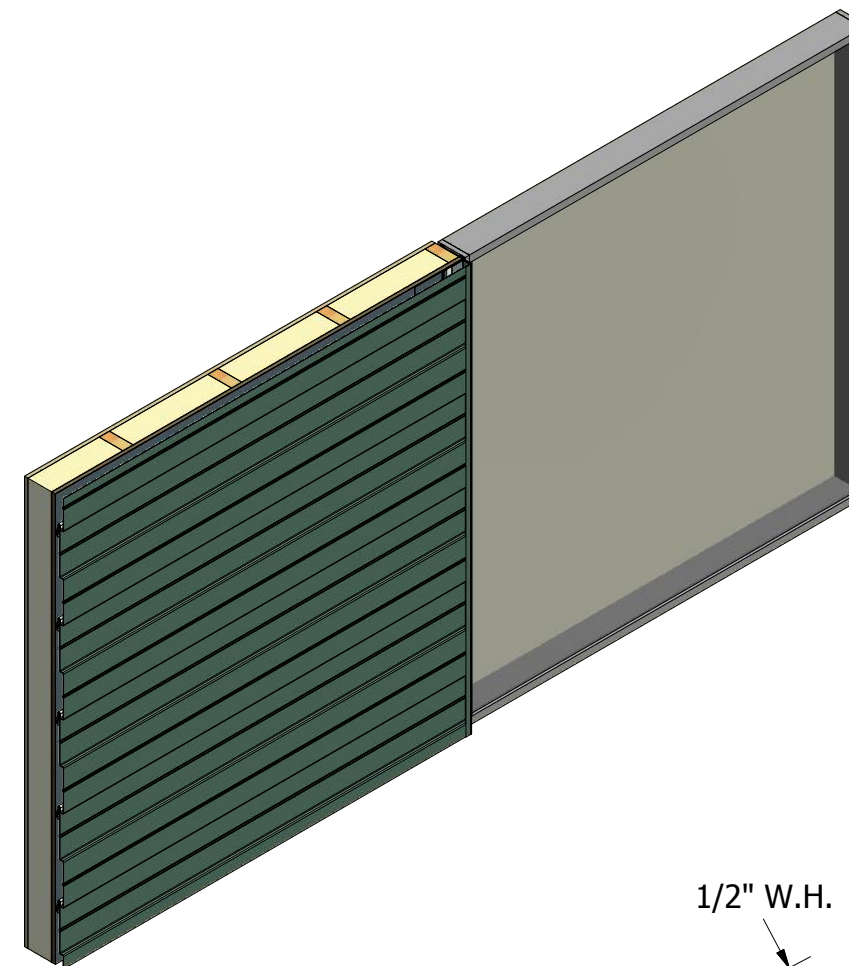
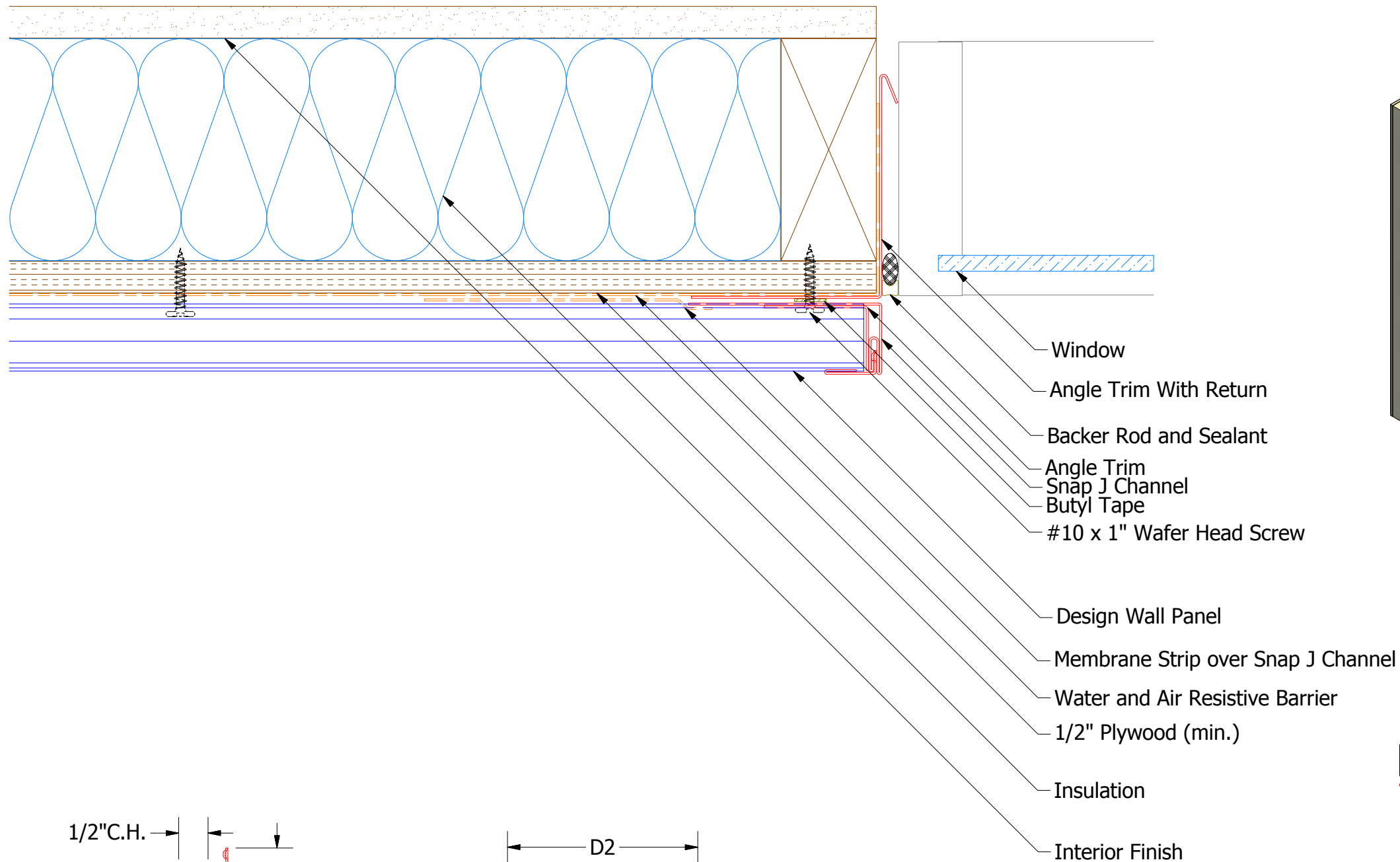
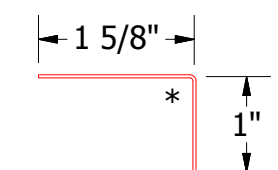


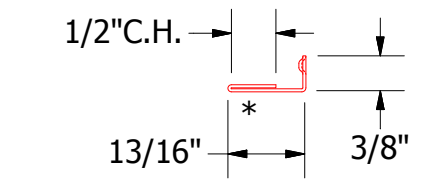
Horizontal Panel - Alternate



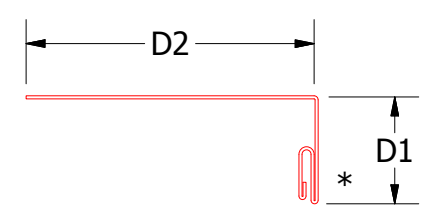
DWA683/DSA683 - Angle Trim With Return



Angle Trim
 DWA680: D2= 1"
 DSA680: D2= 1 3/4"



UNS078 - Snap J Cover



Snap J Base
 DSA179: D1=1 7/8" ,D2=2 1/2"
 DWA159: D1=1 1/8" ,D2=3"

REV. NO.		DATE	DESCRIPTION OF REVISION	BY	APP	TITLE		Design Wall Jamb Alt Detail	
						DWG. NO.	DR	DMR	DATE
						MATERIAL	APP	DAS	DATE
						SH. SIZE	B	SCALE	X:X

ATAS ATAS INTERNATIONAL, INC
 Allentown PA
 610-395-8445
 Mesa AZ
 480-558-7210

DATE	6/27/2016
DATE	7/26/16
SCALE	X:X