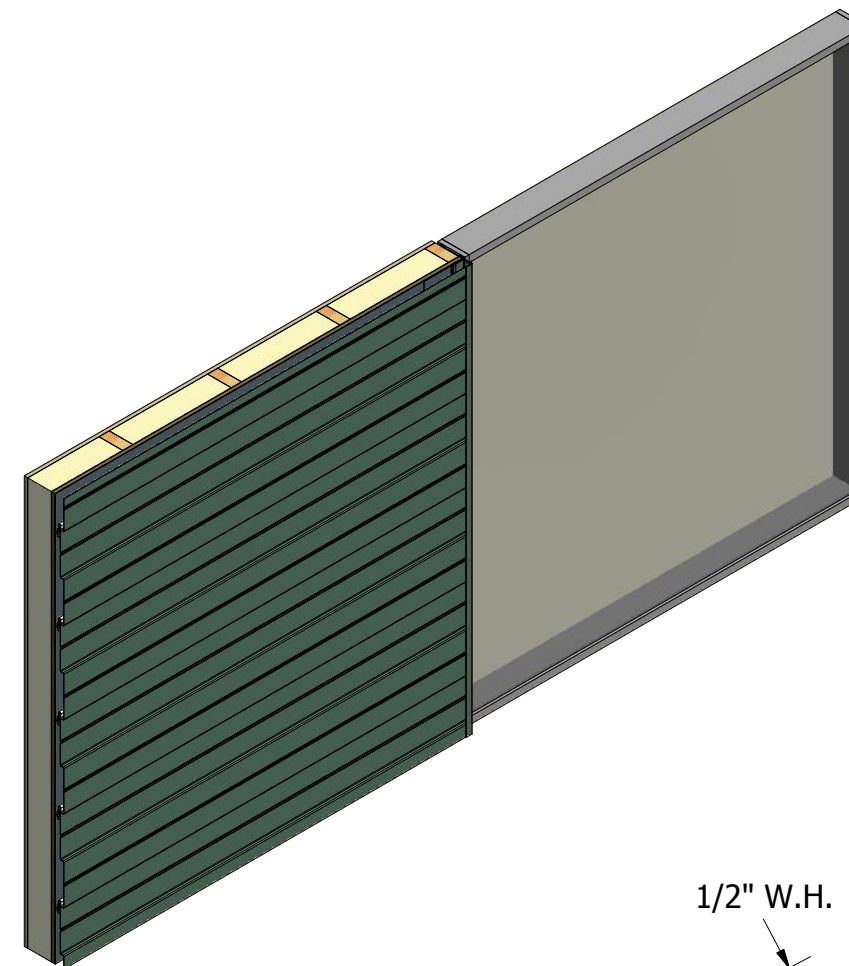
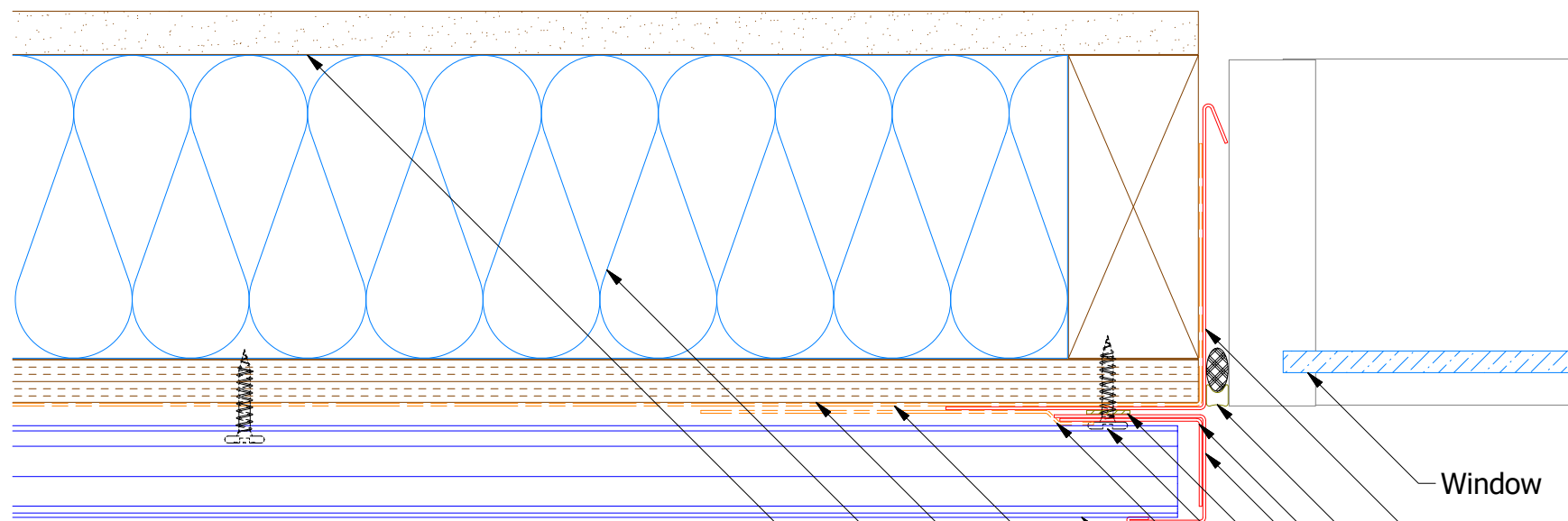
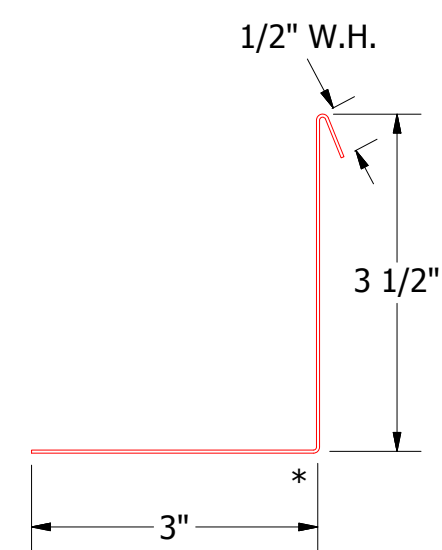


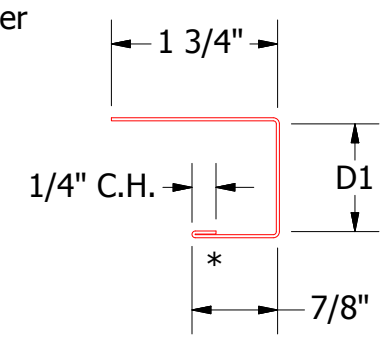
# Horizontal Panel



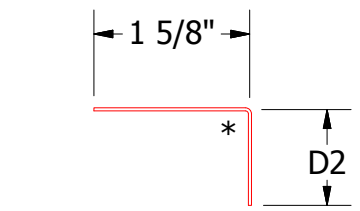
- Window
- Angle Trim With Return
- Backer Rod and Sealant
- Angle Trim
- J Channel
- Butyl Tape
- #10 x 1" Wafer Head Screw
- Membrane Strip over J Channel and Angle Trim
- Design Wall Panel
- Water and Air Resistive Barrier
- 1/2" Plywood (min.)
- Insulation
- Interior Finish




DWA683/DSA683 - Angle Trim With Return



**J Channel**  
 DWA118: D1= 1 1/8"  
 DSA178: D1= 1 7/8"



**Angle Trim**  
 DWA681: D2= 1"  
 DSA681: D2= 1 3/4"

REV. NO.		DATE	DESCRIPTION OF REVISION	BY	APP	TITLE		 <b>ATAS INTERNATIONAL, INC</b> Allentown PA 610-395-8445 Mesa AZ 480-558-7210		
						<b>Design Wall Jamb Detail</b>				
						DWG. NO.	DR	DMR	DATE	
								APP	DAS	DATE
								SH. SIZE	B	SCALE
								X:X		