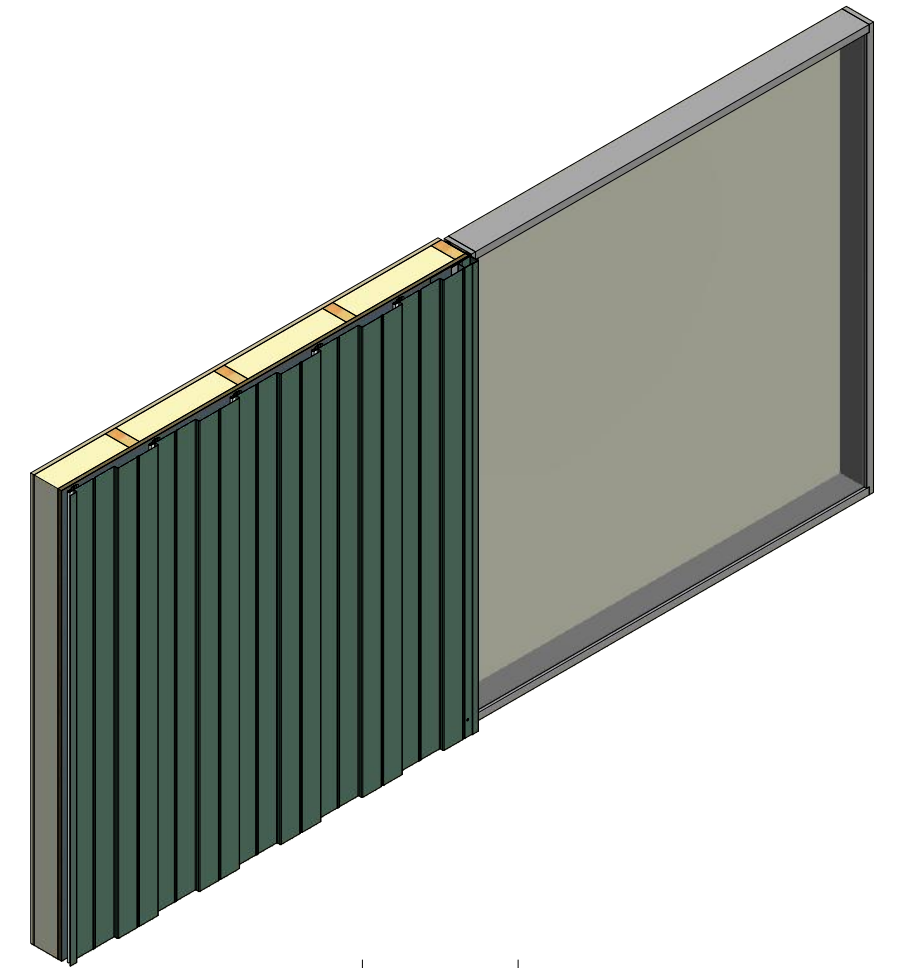
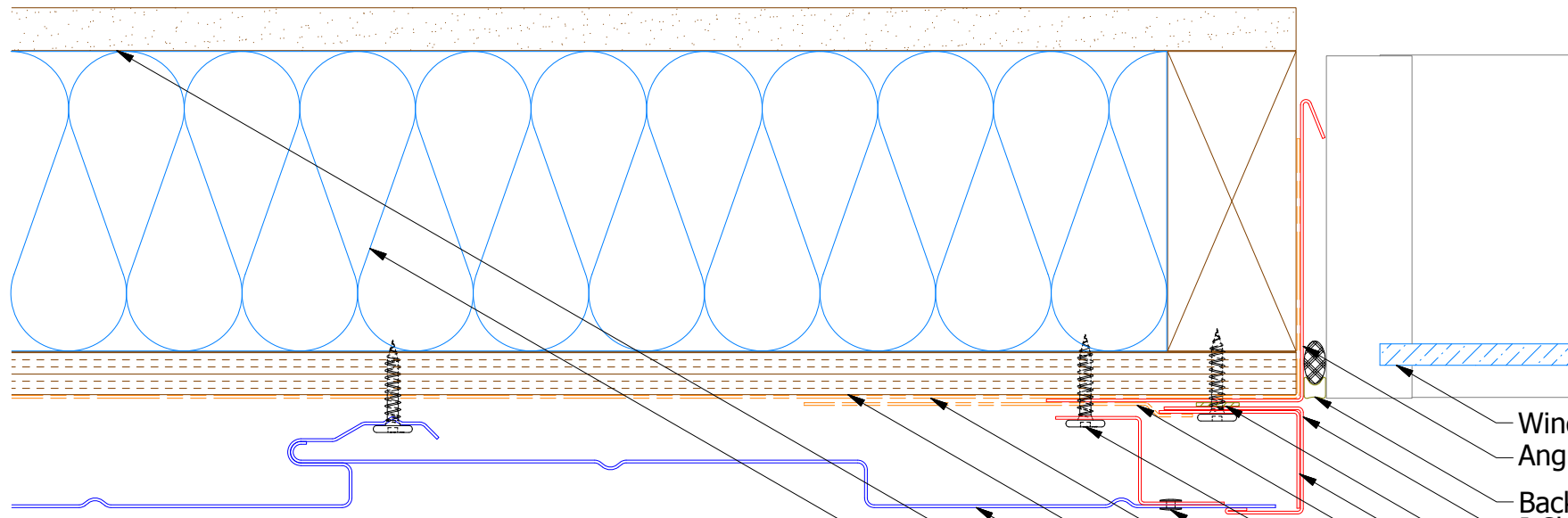
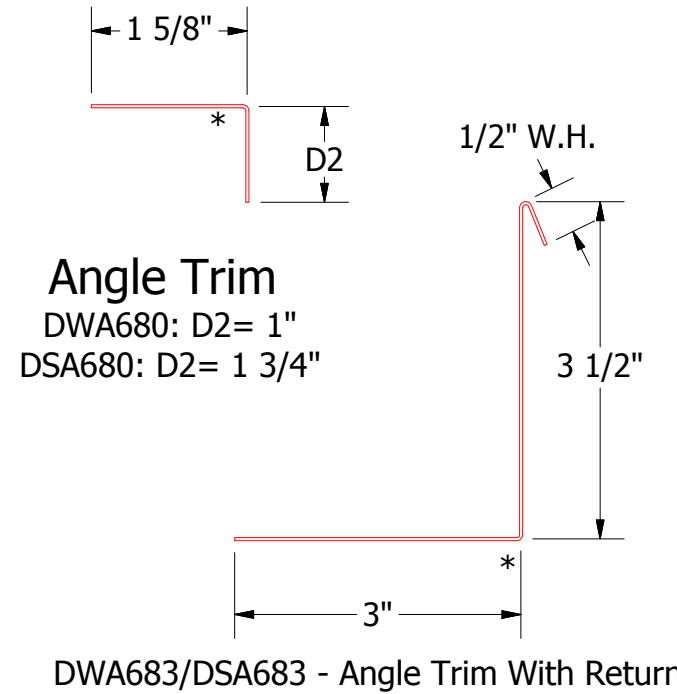
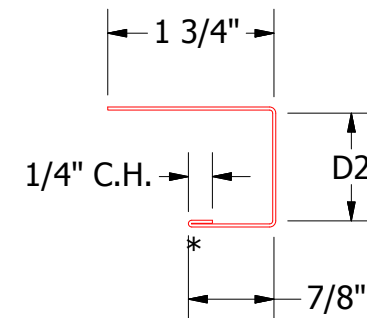
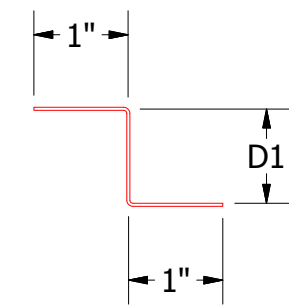
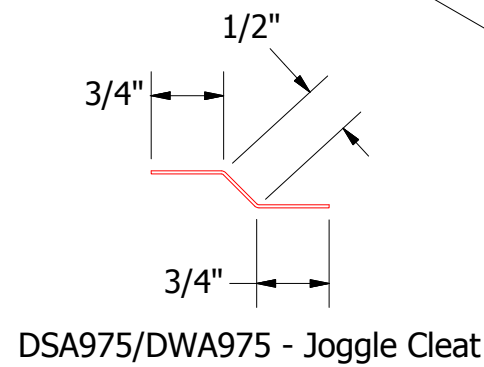
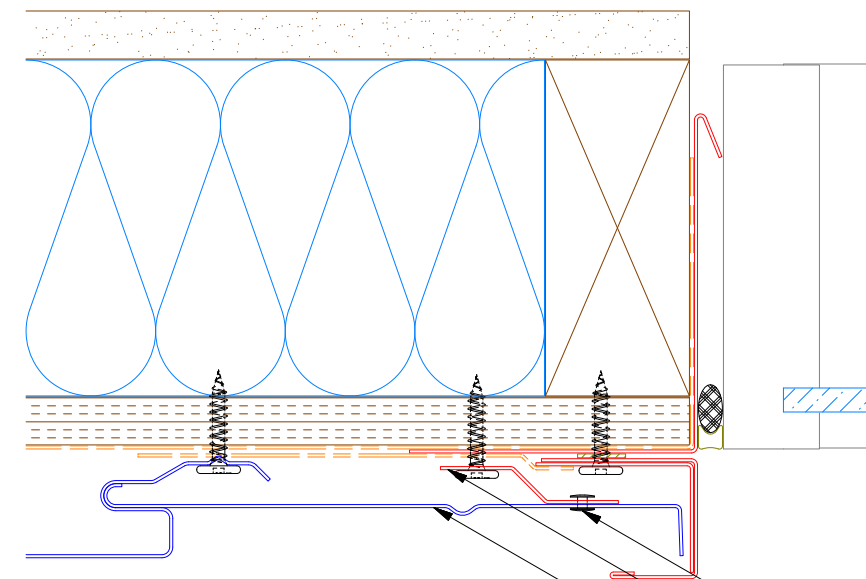


Vertical Panel



- Window
- Angle Trim With Return
- Backer Rod and Sealant
- J Channel
- Butyl Tape
- Angle Trim
- Membrane Strip over J Channel and Angle Trim
- #10 x 1" Wafer Head Screw
- Painted Pop Rivet (24" O.C. Max.)
- Water and Air Resistive Barrier
- 1/2" Plywood (min)
- Design Wall Panel (High Point of Panel)
- Interior Finish
- Insulation



- Painted Pop Rivet (24" O.C. Max.)
- Joggle Cleat
- Design Wall Panel (Low Point of Panel)

| REV. NO. | DATE | DESCRIPTION OF REVISION | BY | APP |
|----------|------|-------------------------|----|-----|
| | | | | |

ATAS ATAS INTERNATIONAL, INC
Allentown PA
610-395-8445
Mesa AZ
480-558-7210

TITLE: **Design Wall Jamb Detail**

| | | |
|----------|----------|-----------|
| DWG. NO. | DR | DATE |
| | DMR | 6/27/2016 |
| MATERIAL | APP | DATE |
| | DAS | 7/26/16 |
| | SH. SIZE | SCALE |
| | B | X:X |