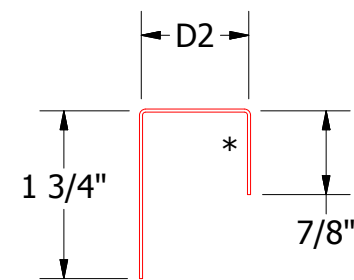
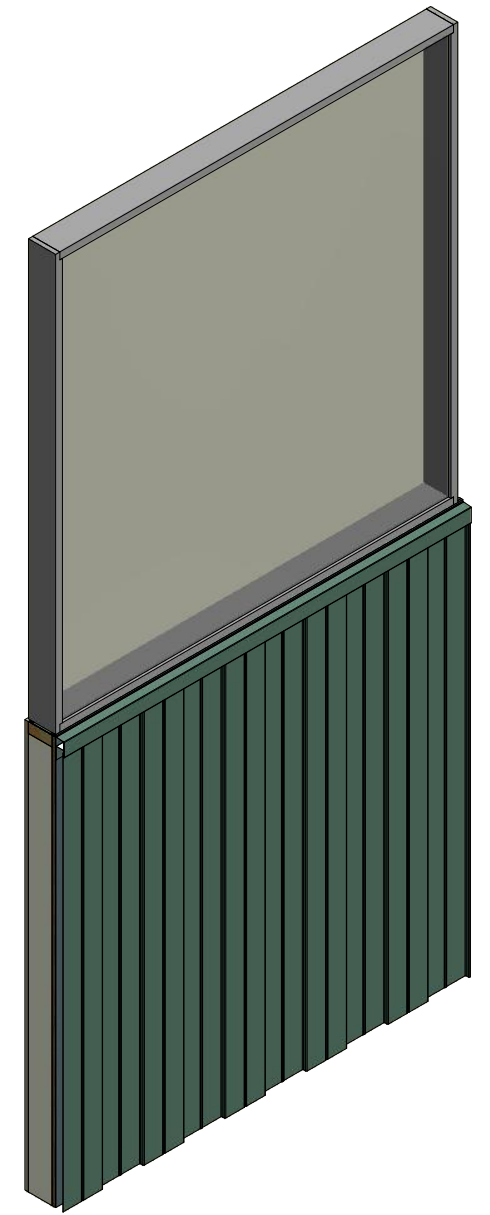
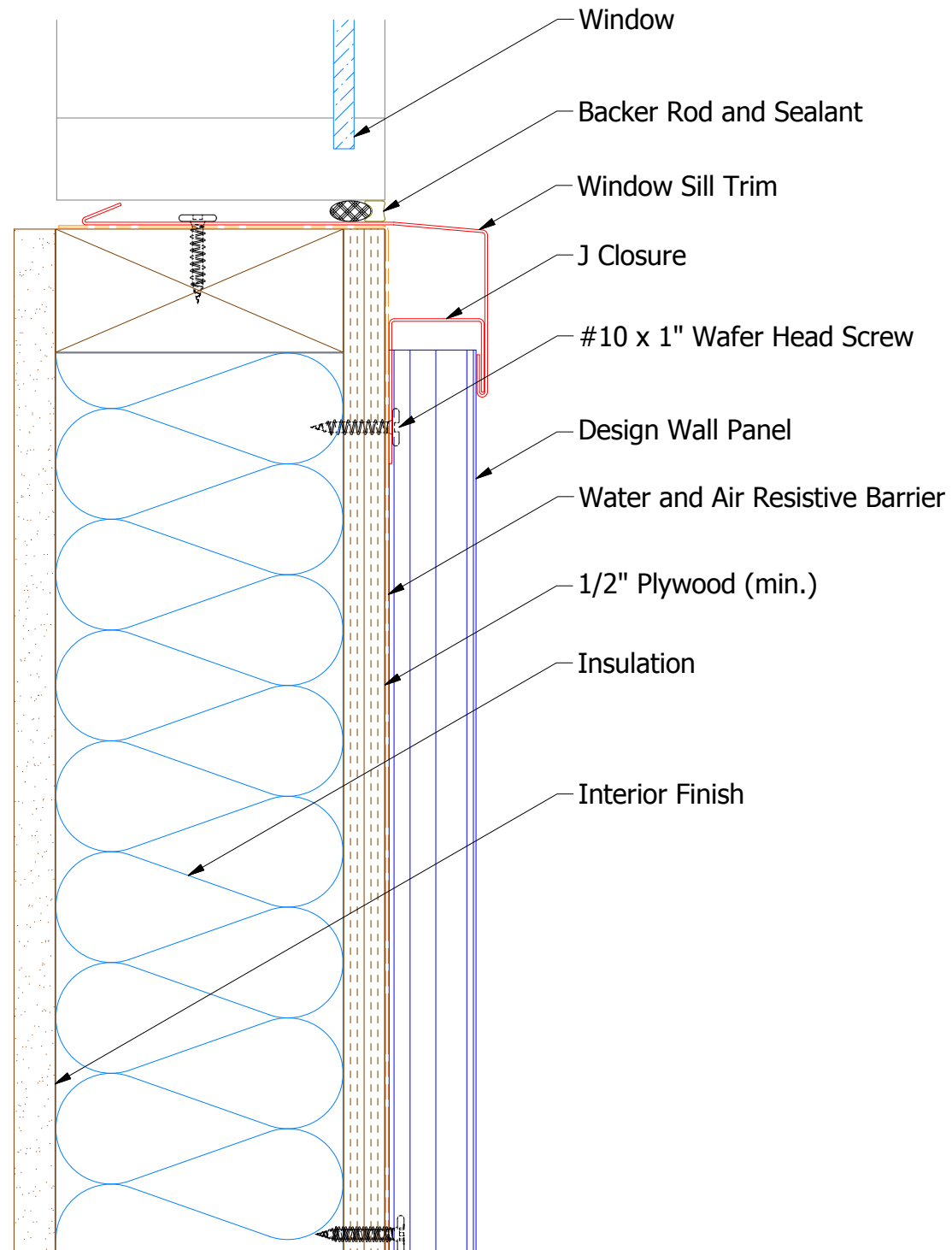
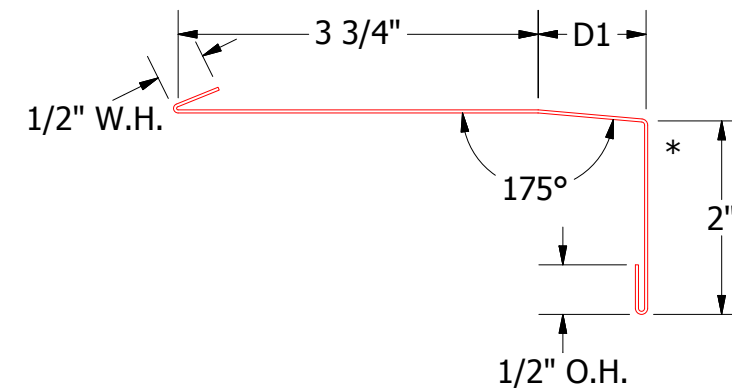


Vertical Panel

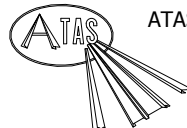


J Closure
 DWA270: D2= 1 1/8"
 DSA270: D2= 1 7/8"



Window Sill Trim
 DWA670: D1= 1 1/8"
 DSA670: D1= 1 13/16"

REV. NO.	DATE	DESCRIPTION OF REVISION	BY	APP

 ATAS INTERNATIONAL, INC Allentown PA 610-395-8445 Mesa AZ 480-558-7210		TITLE	
		Design Wall Window Sill Detail	
DWG. NO.	DR	DATE	
	DMR	6/29/2016	
MATERIAL	APP	DATE	
	DAS	7/26/16	
	SH. SIZE	B	SCALE
			X:X