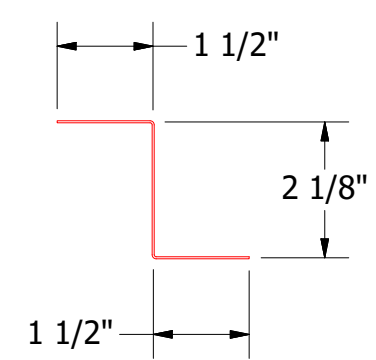
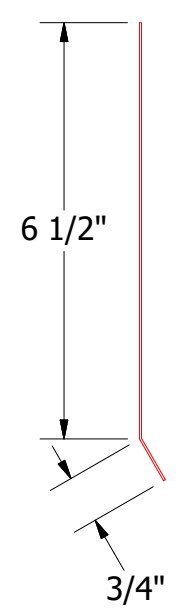


Note: * denotes color side.
Note: Neoprene Closures are not required if Factory Pre Notched Z Closures are utilized.

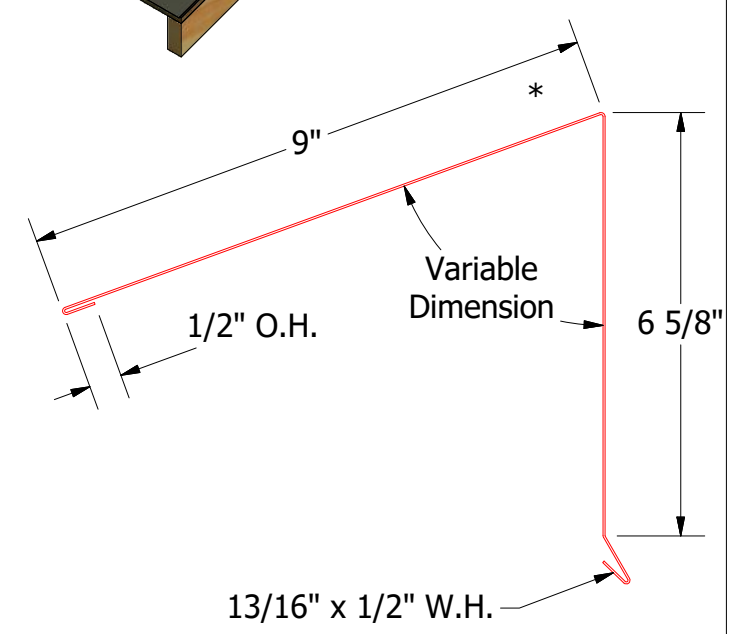
FLA912-Z Closure



FLA349-Shed Ridge Starter Cleat



FLA346-Shed Ridge Cap



REV. NO.	DATE	DESCRIPTION OF REVISION	BY	APP	TITLE	DWG. NO.	DR	DATE
2	5/31/2019	Updated Clip Information	AJZ	KRK	FLR Shed Ridge Detail	DWG. NO.	DR	DATE
1	6/27/18	Updated Substrate and Titles	MBP	APP			KRK	10/3/2014
					MATERIAL		SH. SIZE	SCALE
							B	X:X

ATAS INTERNATIONAL, INC
 Allentown PA
 610-395-8445
 Mesa AZ
 480-558-7210