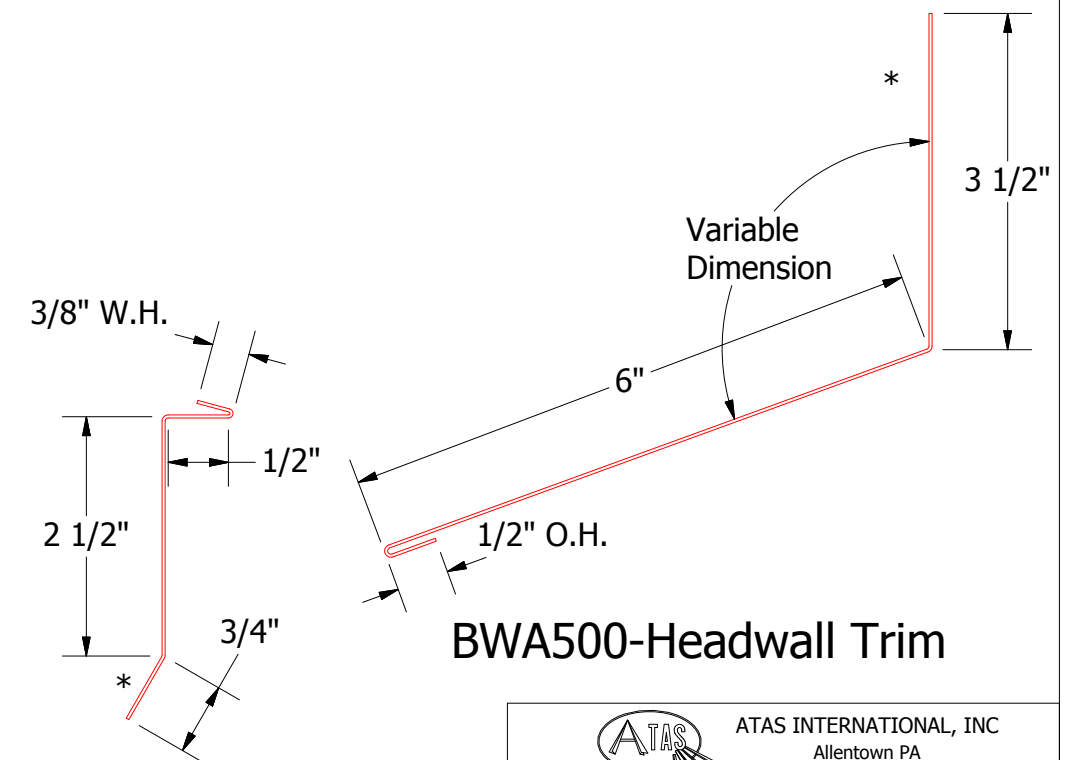
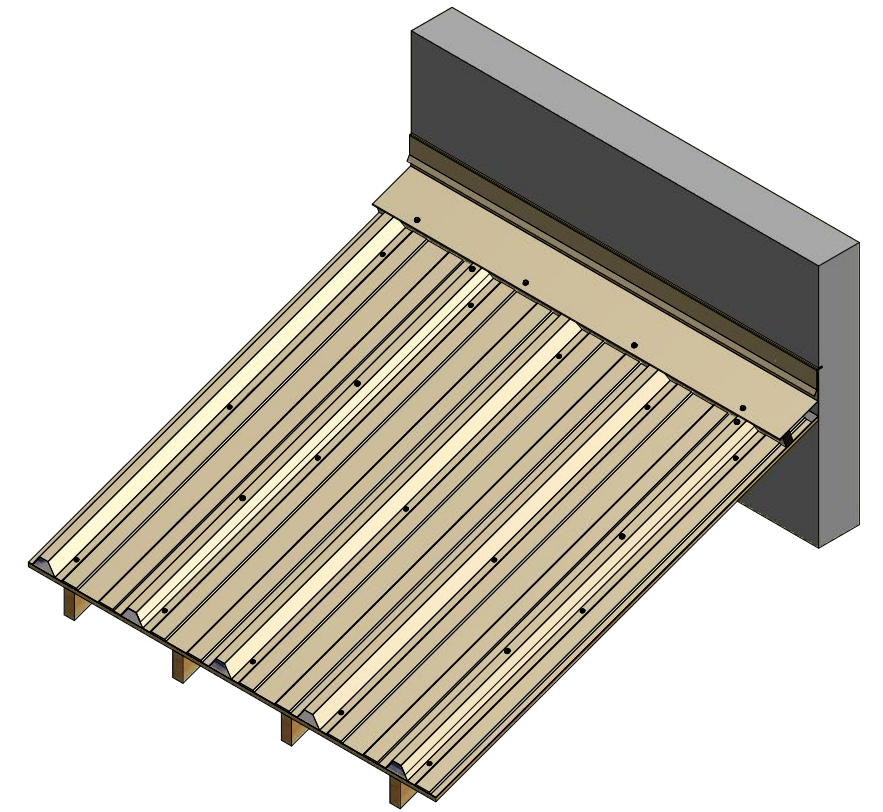
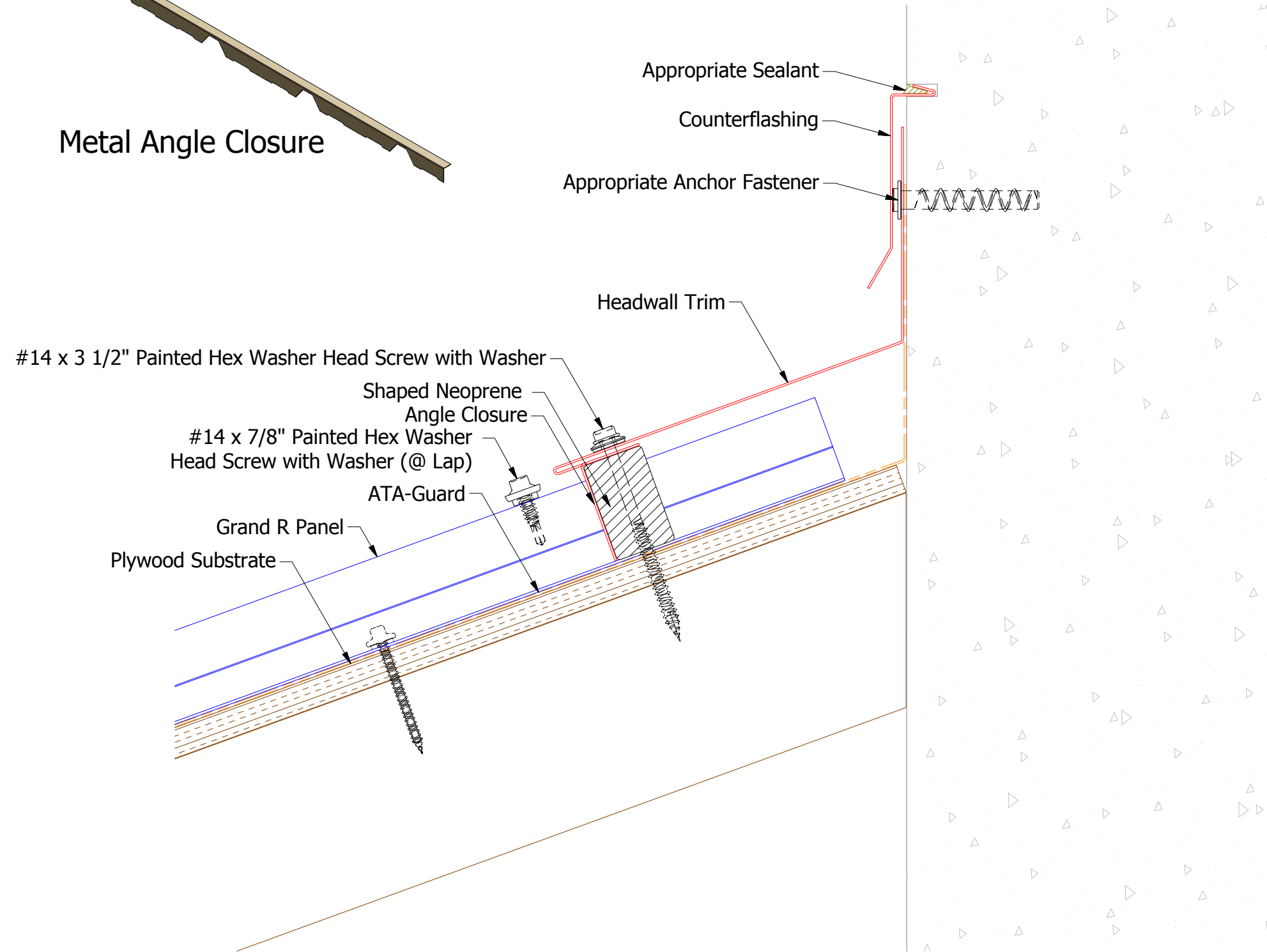


Metal Angle Closure



BWA980-Counterflashing

ATAS
 ATAS INTERNATIONAL, INC
 Allentown PA
 610-395-8445
 Mesa AZ
 480-558-7210

TITLE		Grand R Headwall Detail	
DWG. NO.	DR	DATE	12/6/2016
1	KRK	DATE	
REV. NO.	APP	SH. SIZE	B
DATE	DESCRIPTION OF REVISION	BY	APP
		SCALE	X:X

1	3/14/2019	Changed Fastener and Metal Angle Closure	DMR
REV. NO.	DATE	DESCRIPTION OF REVISION	BY APP