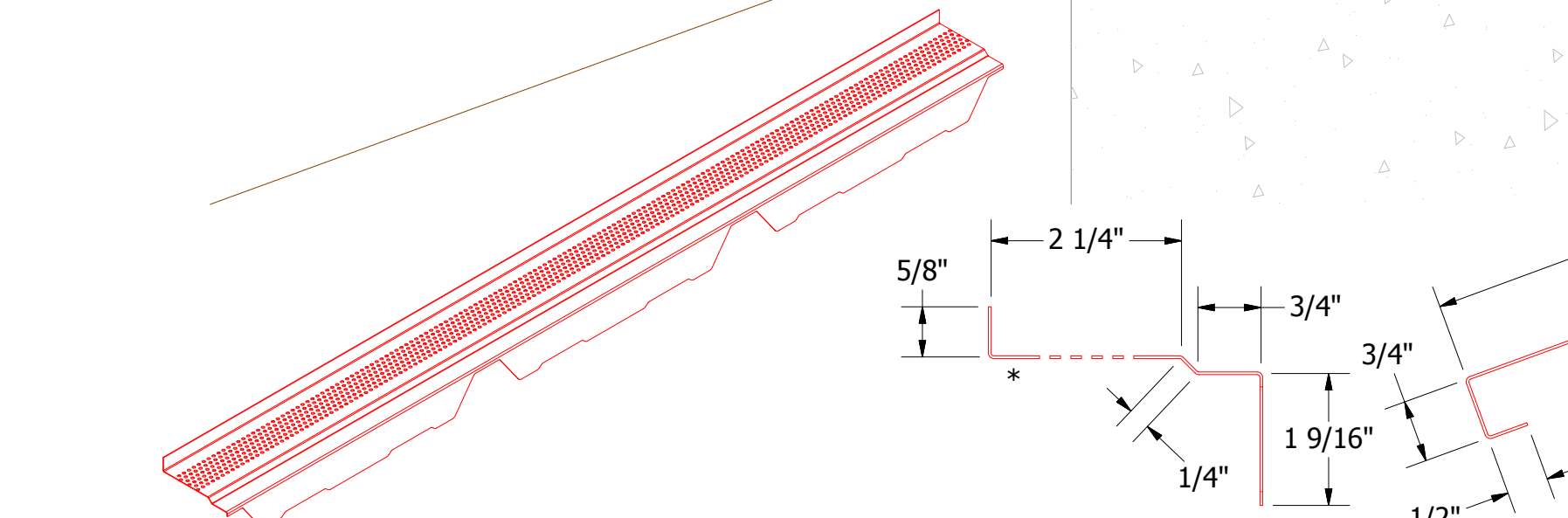
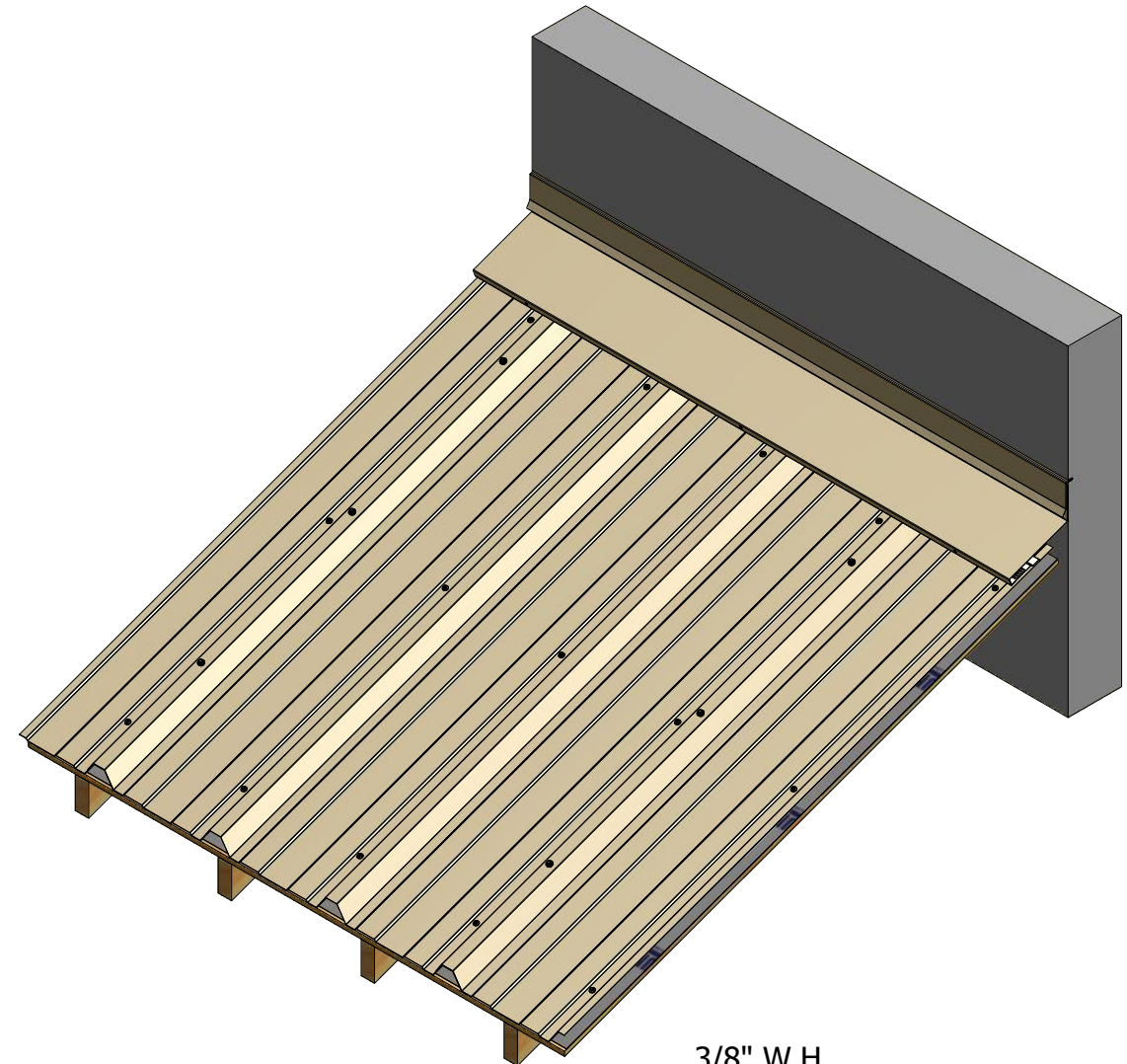
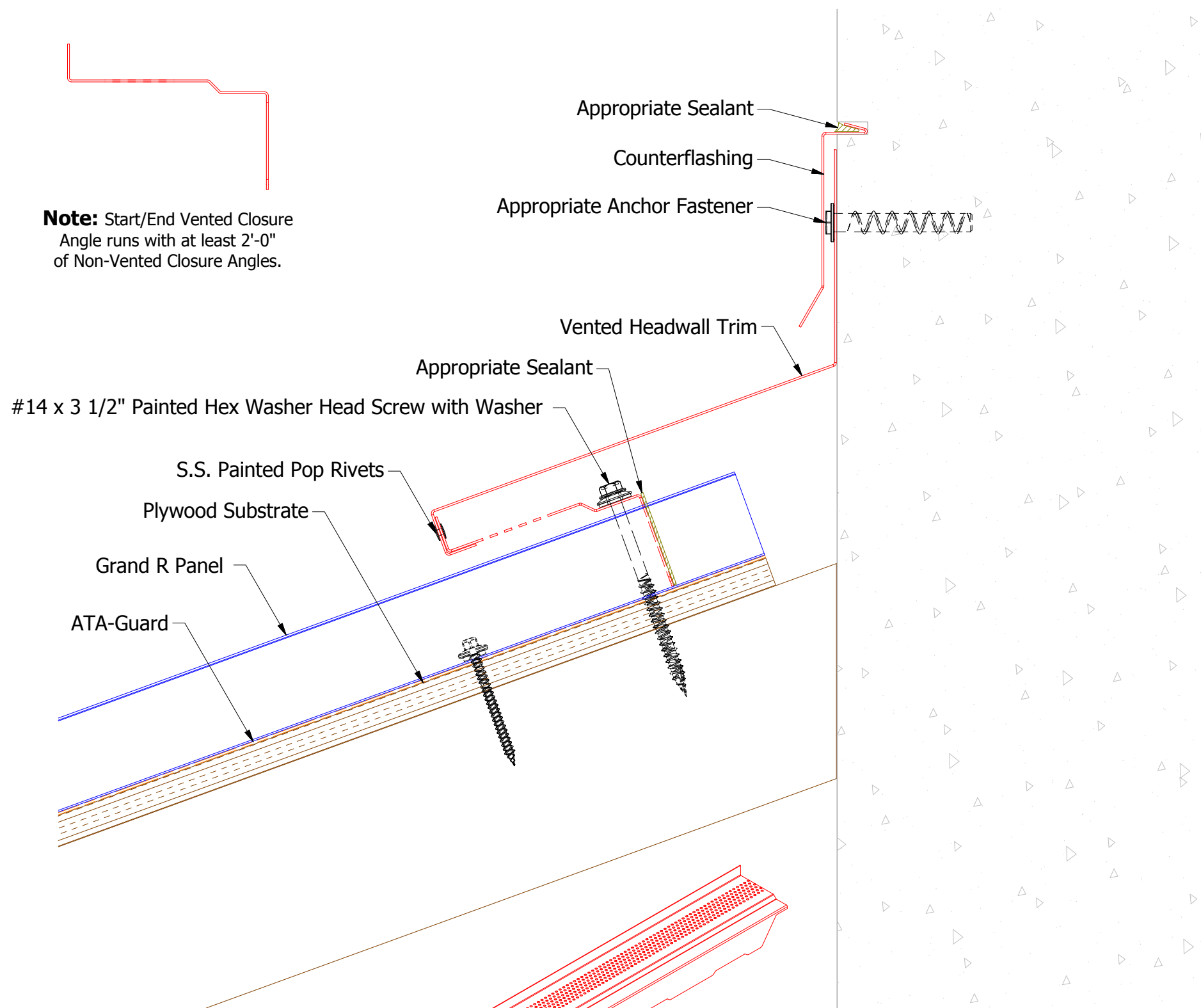
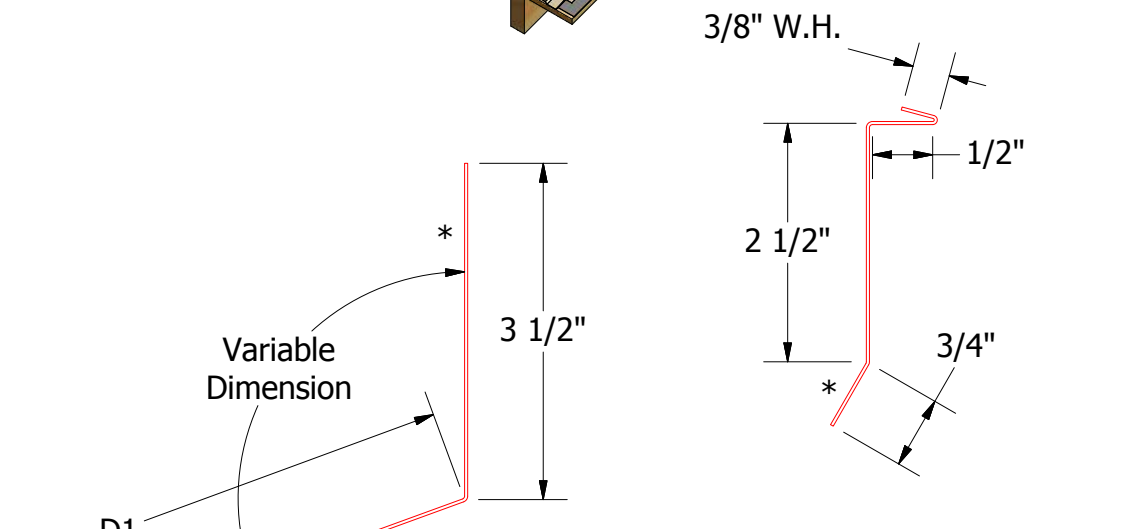


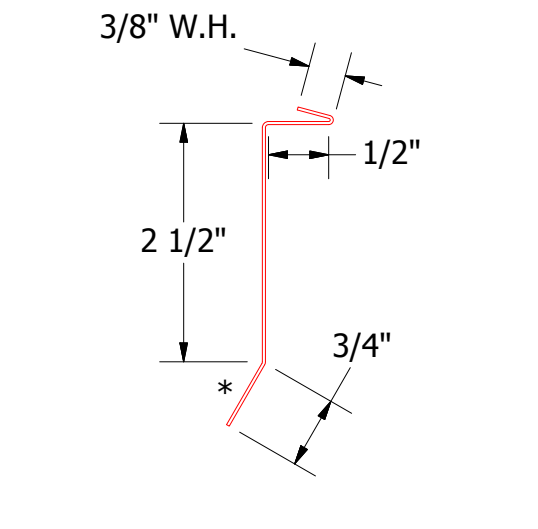
Note: Start/End Vented Closure Angle runs with at least 2'-0" of Non-Vented Closure Angles.



BWA911-Vented Closure Angle



Vented Headwall Trim
BWA510-3:12 to 6:12 Slope
 D1=7"
BWA514-6:12 to 12:12 Slope
 D1=7 3/4"



BWA980-Counterflashing

REV. NO.	DATE	DESCRIPTION OF REVISION	BY	APP
1	3/14/2019	Changed Z Closures to Perforated	DMR	

ATAS ATAS INTERNATIONAL, INC
 Allentown PA
 610-395-8445
 Mesa AZ
 480-558-7210

TITLE **Grand R Vented Headwall Detail**

DWG. NO.	DR	DATE
	KRK	1/4/2017
MATERIAL	APP	DATE
SH. SIZE	B	SCALE
		X:X