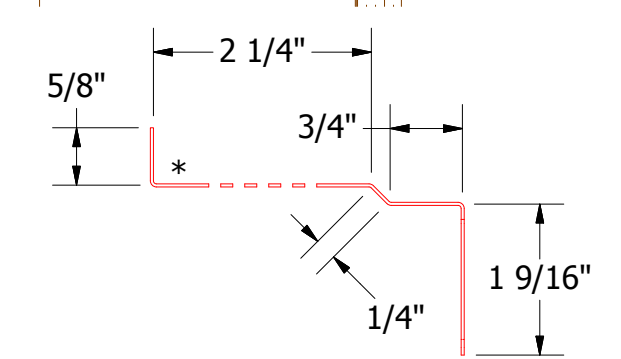
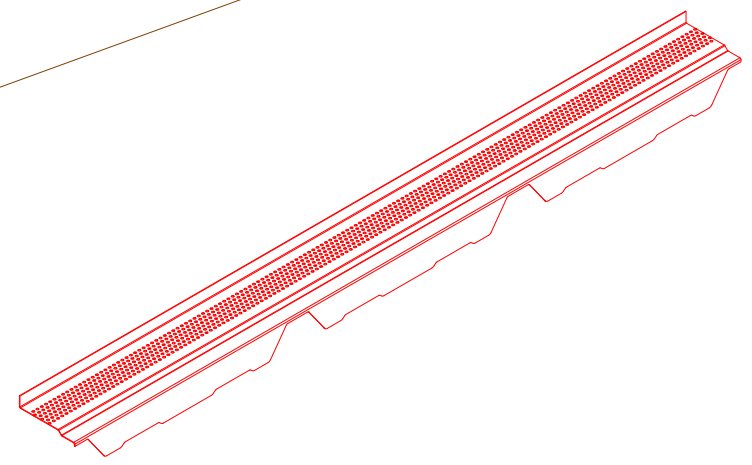
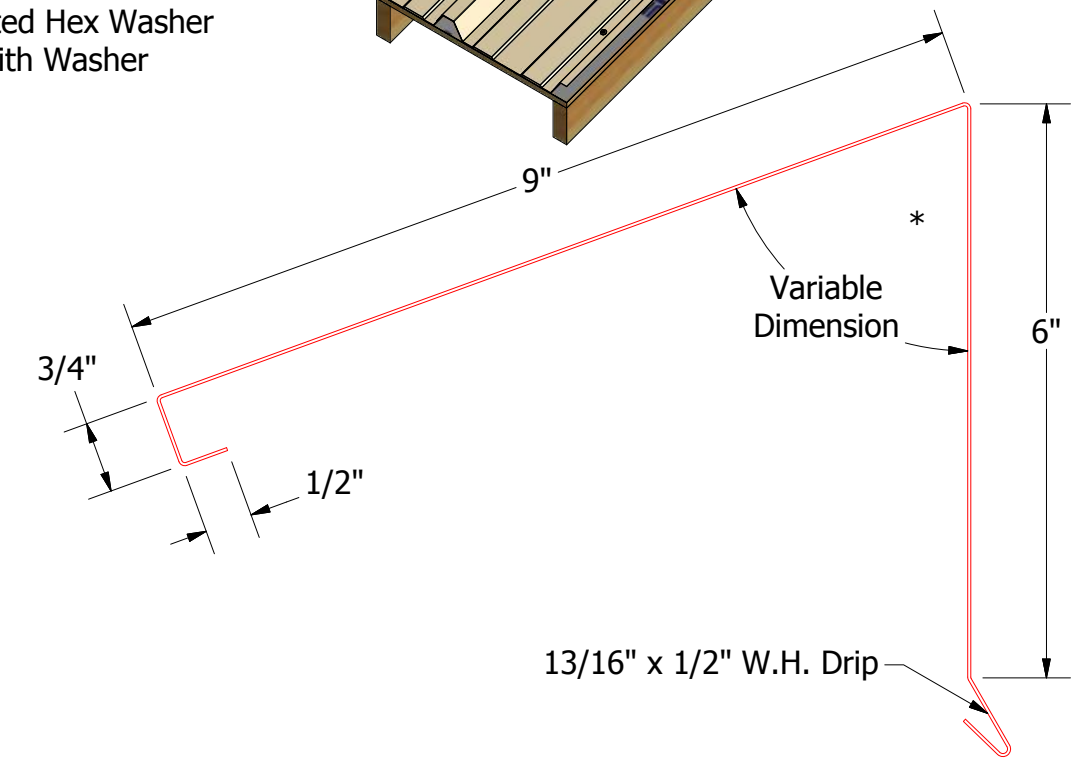
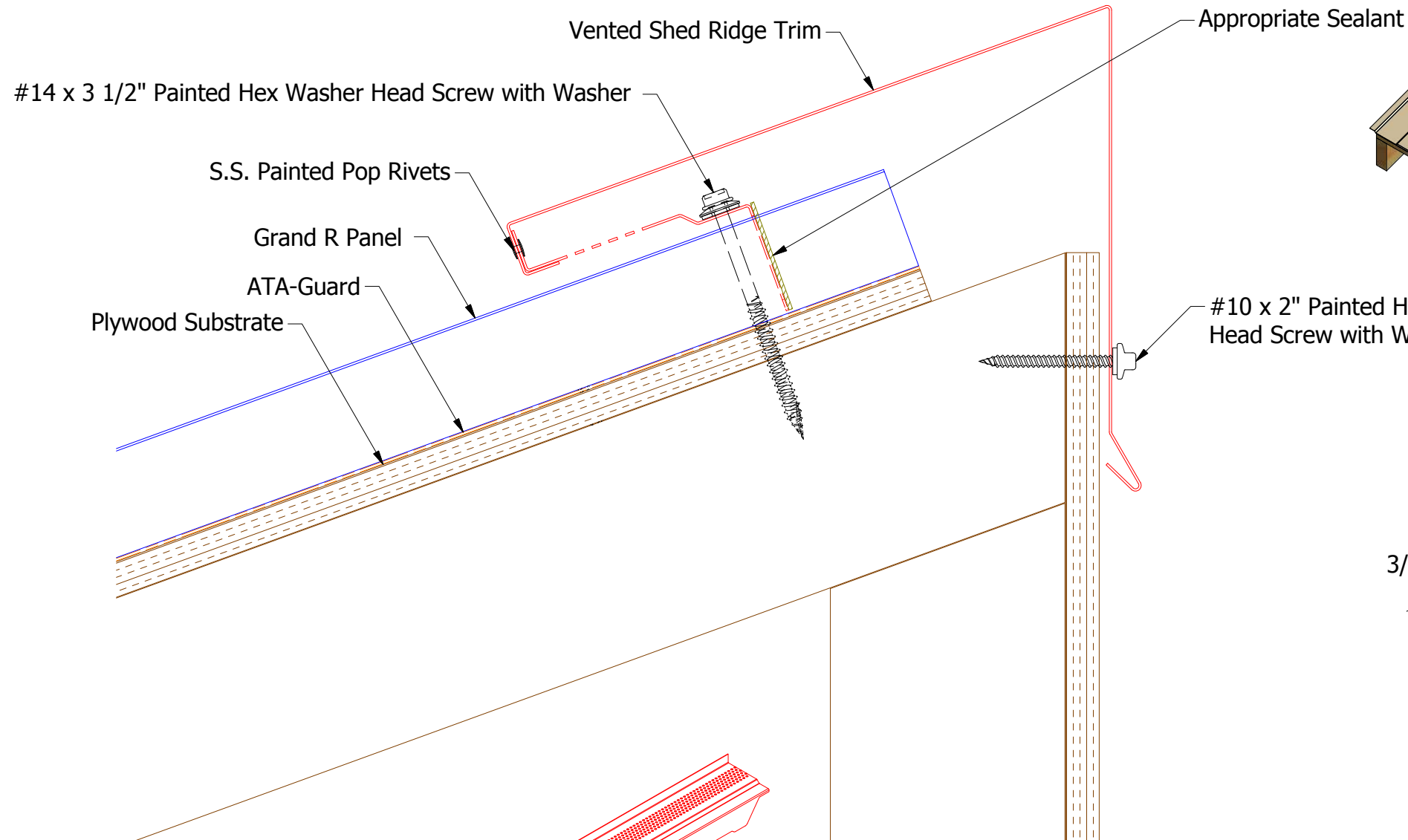
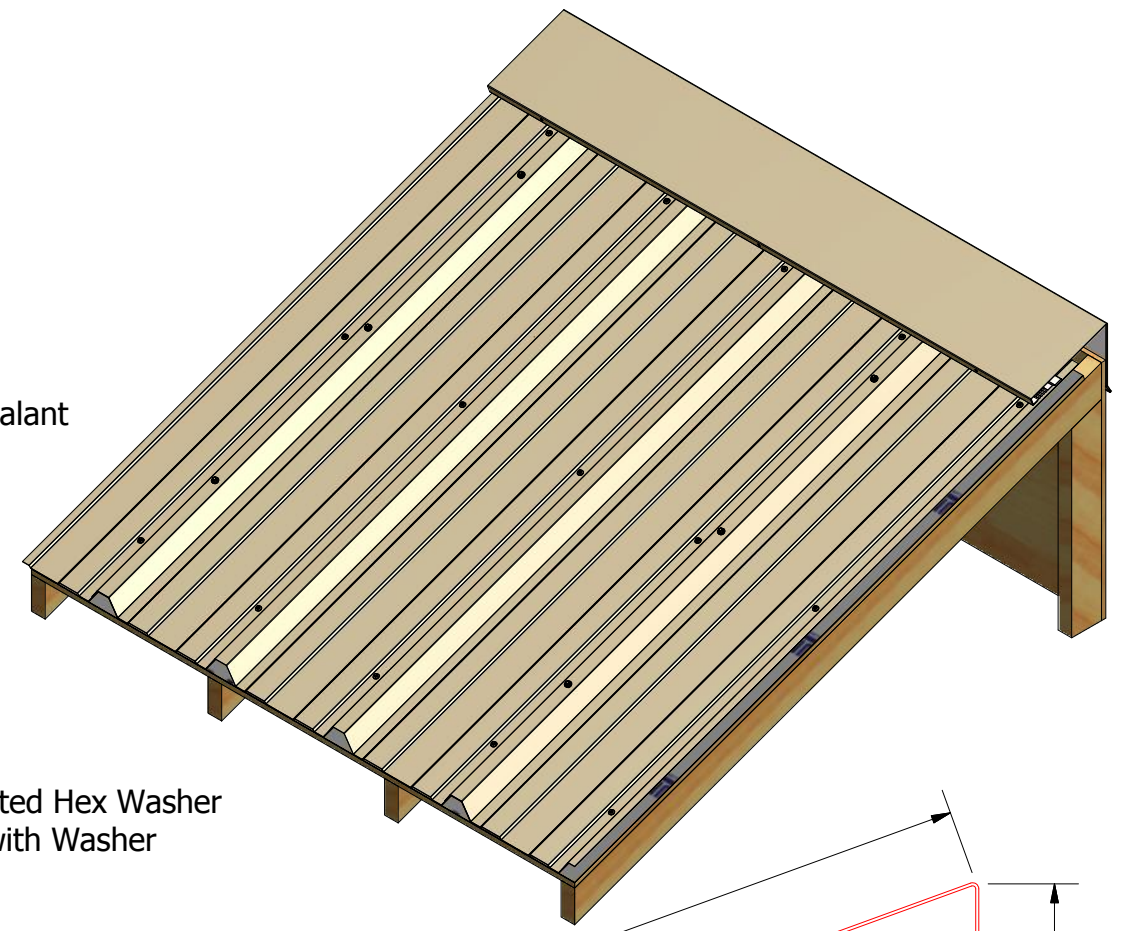


Note: Start/End Vented Closure Angle runs with at least 2'-0" of Non-Vented Closure Angles.



BWA911-Vented Closure Angle

BWA366-Vented Shed Ridge Cap

ATAS
 ATAS INTERNATIONAL, INC
 Allentown PA
 610-395-8445
 Mesa AZ
 480-558-7210

TITLE				Grand R Vented Shed Ridge Detail	
REV. NO.	DATE	DESCRIPTION OF REVISION	BY	APP	SCALE
1	3/14/2019	Changed Z Closure to Perforated	DMR	APP	X:X

DR KRK DATE 1/13/2017
 APP DATE
 SH. SIZE B SCALE X:X