

Trim Work Form

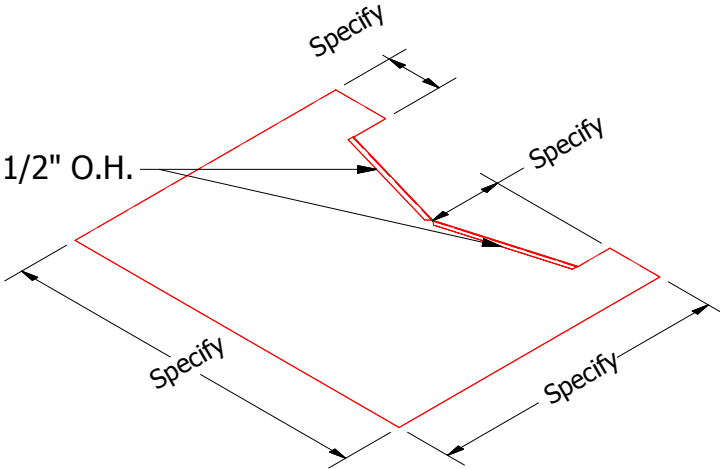
Effective: 1/16/2018

Name: _____

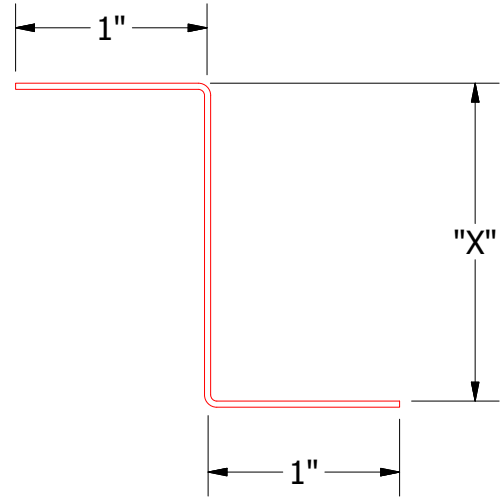
Page ____ of ____

ATAS Order # _____

Product Name: Flashing Pan PART # 1



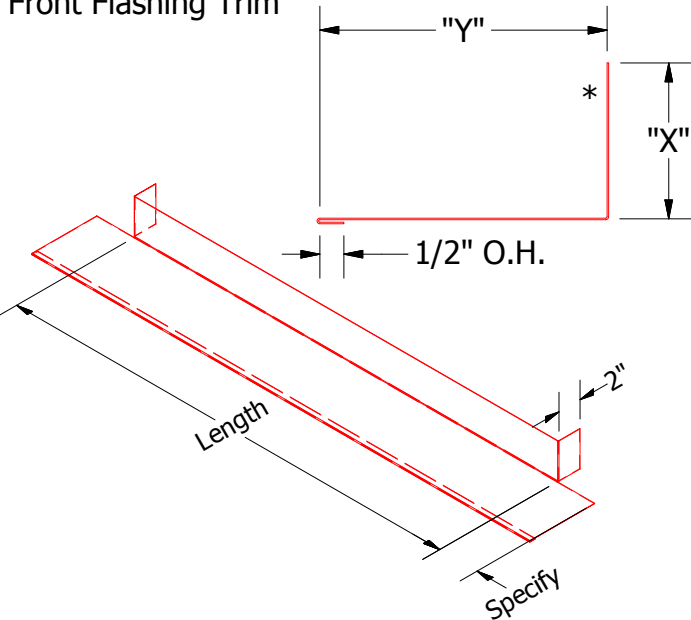
Product Name: Z Closure PART # 2



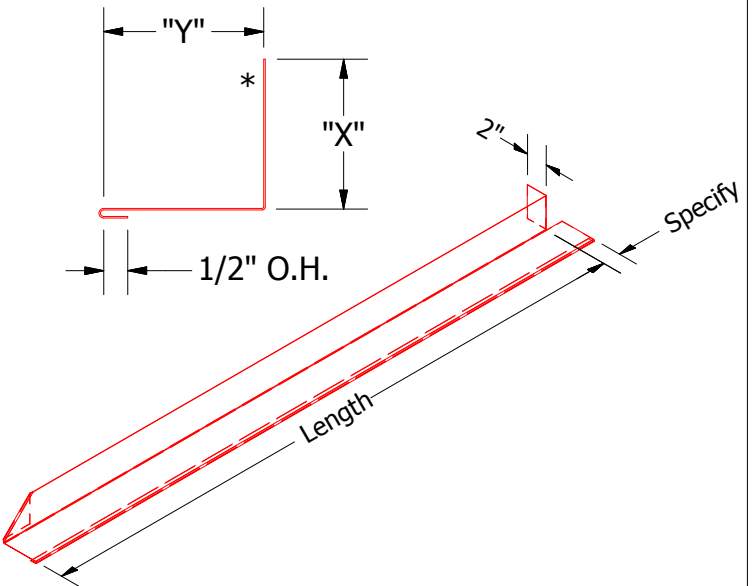
Material	Aluminum	Gauge	Specify
# of Pieces	Specify	Str. Width	NA
Length	NA	Embossed	NO
Color	Specify	Splice	NO

Material	Aluminum	Gauge	Specify
# of Pieces	Specify	Str. Width	2.000"+X
Length	Specify	Embossed	NO
Color	Specify	Splice	NO

Product Name: Front Flashing Trim PART # 3



Product Name: Side Flashing Trim PART # 4



Material	Aluminum	Gauge	Specify
# of Pieces	Specify	Str. Width	.500"+X+Y
Length	Specify	Embossed	NO
Color	Specify	Splice	NO

Material	Aluminum	Gauge	Specify
# of Pieces	____ Left ____ Right	Str. Width	.500"+X+Y
Length	Specify	Embossed	NO
Color	Specify	Splice	NO

Trim Work Form

Effective: 1/16/2018

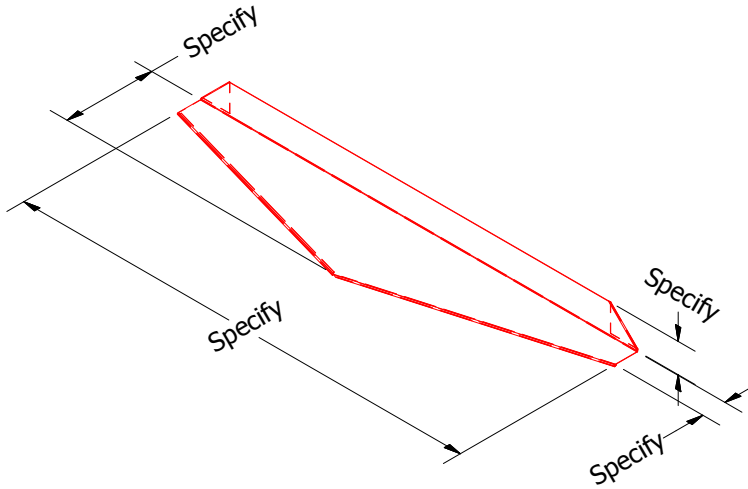
Name: _____

Page _____ of _____

ATAS Order # _____

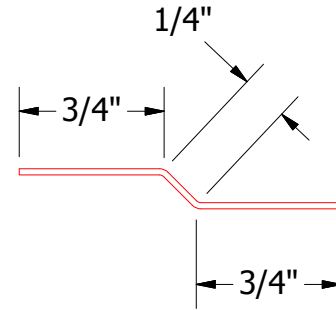
Product Name:
Back Flashing Trim

PART # 5



Product Name: Joggle Cleat

PART # 6



Material	Aluminum	Gauge	Specify
# of Pieces	Specify	Str. Width	NA
Length	Specify	Embossed	NO
Color	Specify	Splice	NO

Material	Aluminum	Gauge	Specify
# of Pieces	Specify	Str. Width	1.750"
Length	Specify	Embossed	NO
Color	Specify	Splice	NO

Product Name: _____ PART # _____

Product Name: _____ PART # _____

Material	Gauge
# of Pieces	Str. Width
Length	Embossed
Color	Splice

Material	Gauge
# of Pieces	Str. Width
Length	Embossed
Color	Splice